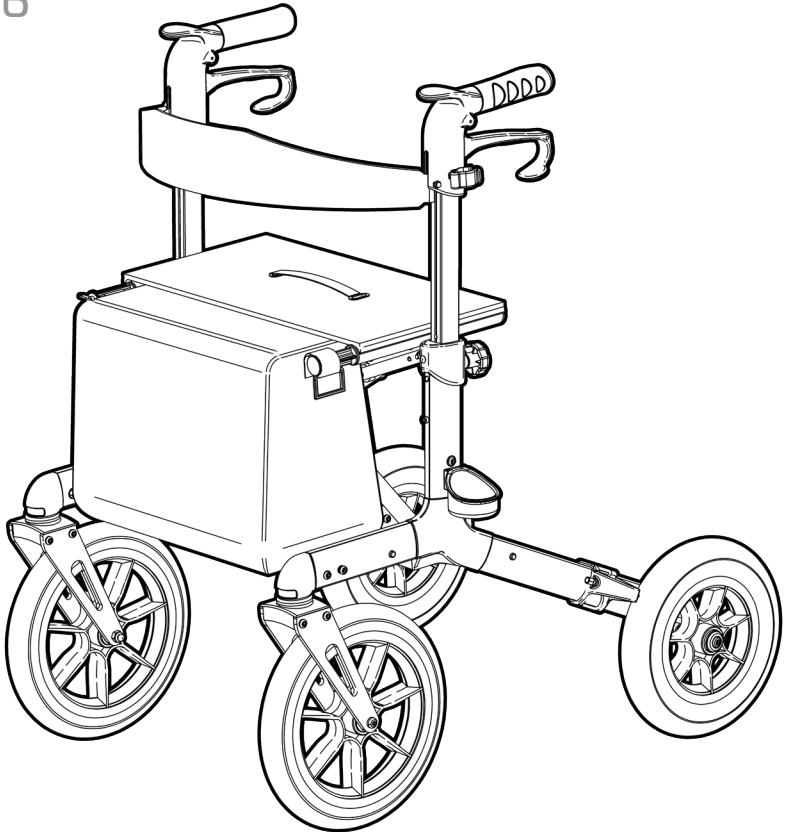


CROSS COUNTRY SEAT WALKER

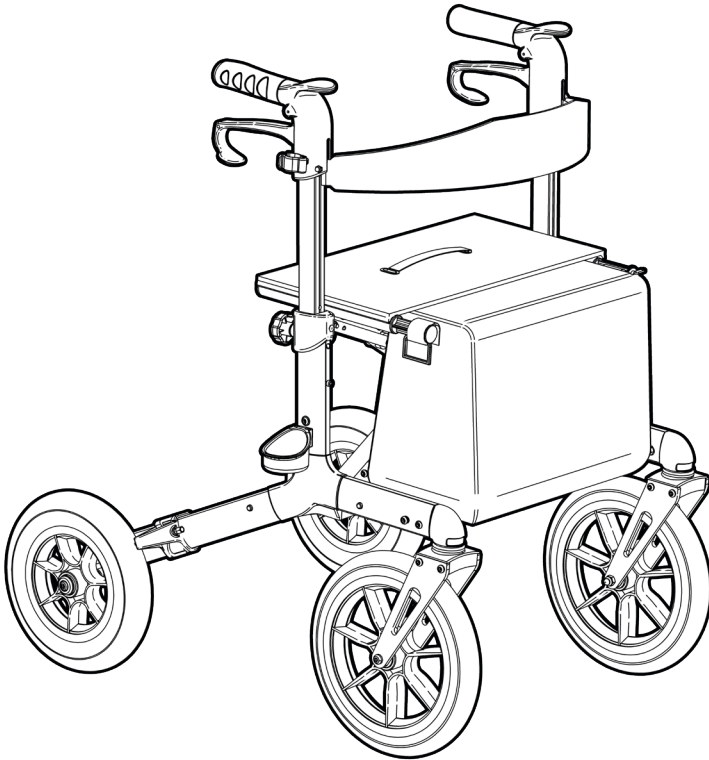
RG4416

Edition 1



USER MANUAL

Please read and keep these instructions



REDGUM brand

ASSISTED LIVING PRODUCTS

REDGUM Brand owns the copyright to the Cross Country Seat Walker user manual. Any information contained in this user manual shall not be photocopied, reproduced or translated into any other languages without the prior written consent of REDGUM Brand.

REDGUM Brand strives to provide the highest quality products possible. Products are subject to change without notice.

© Copyright **REDGUM Brand**



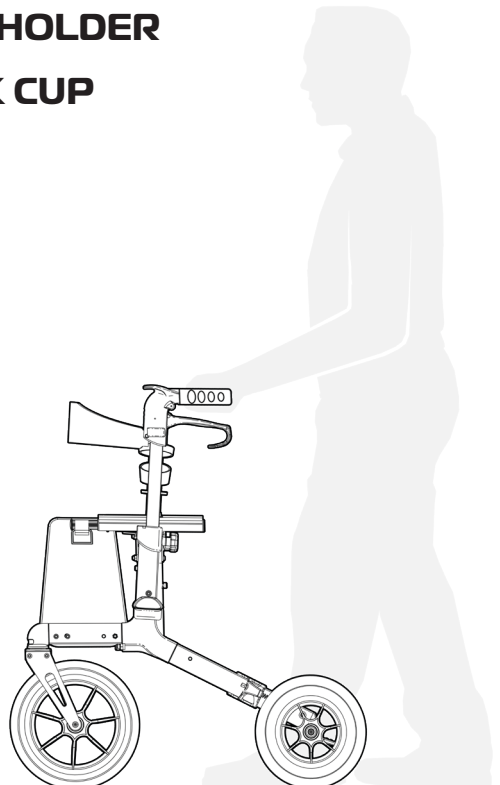
REDGUM Brand is part of **FOR-DE Group Pty Ltd**

ASK FOR THE BRAND

redgumbrandmobility.com.au

CONTENTS

1. **INTRODUCTION**
2. **PRODUCT OVERVIEW**
3. **UNPACK and INSPECT PARTS**
4. **UNFOLD FRAME**
5. **FIT FRONT WHEELS**
6. **FIT REAR WHEELS**
7. **FIT HANDLES**
8. **ADJUST HANDLES**
9. **FIT DRINK BOTTLE HOLDER**
10. **FIT WALKING STICK CUP**
11. **FIT BAG**
12. **BRAKING**
13. **USAGE**
14. **FOLDING WALKER**
15. **PRODUCT CARE**
16. **WARRANTY**



INTRODUCTION

Thank you for purchasing this REDGUM Brand product.

If you have any issues or questions about the Cross Country Seat Walker please contact your supplier or REDGUM Brand direct:

T: **+61 8 9248 4180**

E: **orders@for-de.com.au**

A: **1 Business Way, Malaga, Western Australia 6090**

INTENDED USE

This product has limitations and should be used in accordance to these guidelines. Failure to follow these guidelines may result in damage to the product and injury to the user. It is the responsibility of the user to ensure the suitability of this product for its intended use. The user should consult their appropriate healthcare professional if unsure of the correct product usage for their unique circumstances.

Only use the Cross Country Seat Walker for its intended purpose which is as a walking and sitting aid that can adjust to suit the users individual requirements.

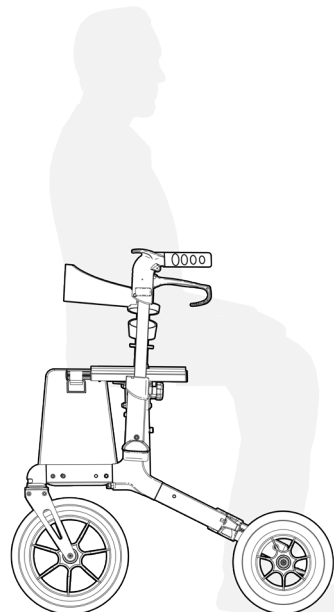
Suitable for indoor and outdoor use.

IMPORTANT NOTE

This equipment **MUST** be assembled by a competent person.

Maximum User Weight: 136kg

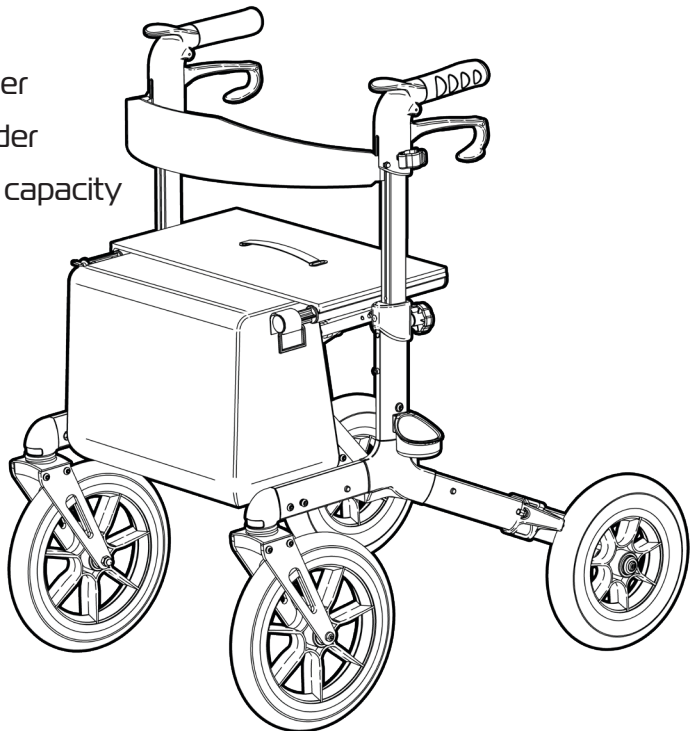
Exceeding the weight limit could cause damage to the product and could put the user at risk.



PRODUCT OVERVIEW

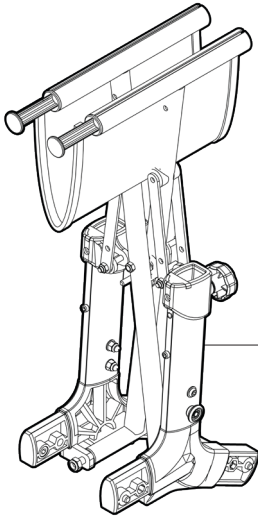
FEATURES

- Great walking and stability aid
- Hand and park brakes
- Folds for storage and transport
- Height adjustable handles
- Ergonomic rubber hand grips
- Padded seat and backrest strap
- Removable carry bag
- Walking stick holder
- Large flat free wheels
- Bottle holder
- Walking stick holder
- Mobile phone holder
- 136kg weight load capacity

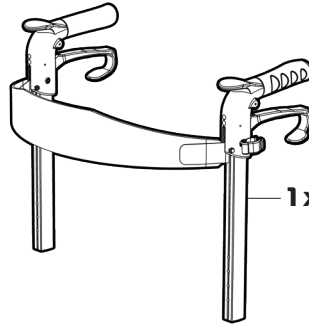


UNPACK and INSPECT PARTS

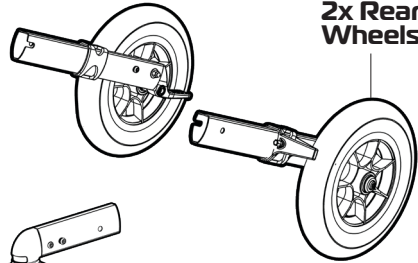
Ensure you have been supplied with the following parts:



1 x Frame



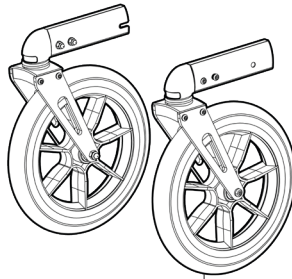
1 x Handles



2x Rear
Wheels



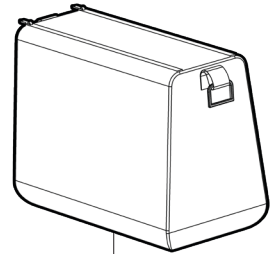
1 x Bottle Holder
(not to scale)



2 x Front
Wheels



1 x Walking Stick Cup
(not to scale)



1 x Bag

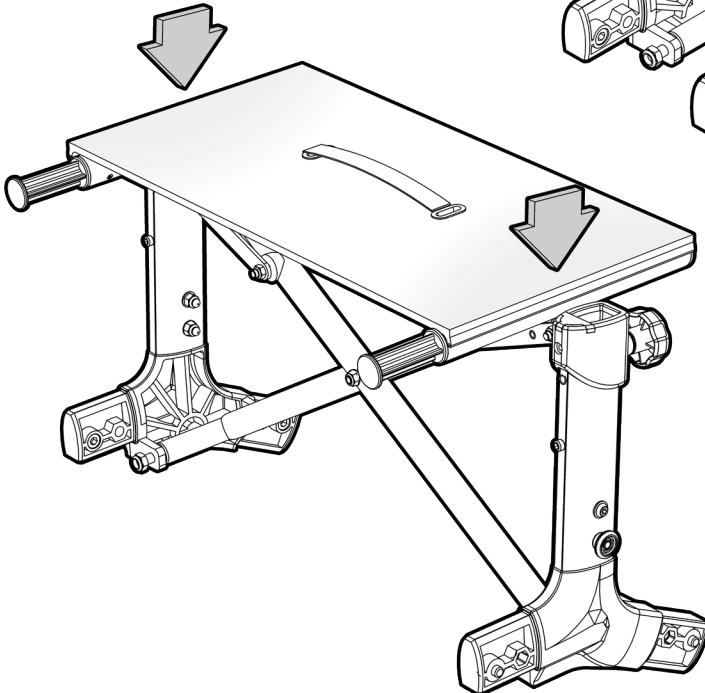
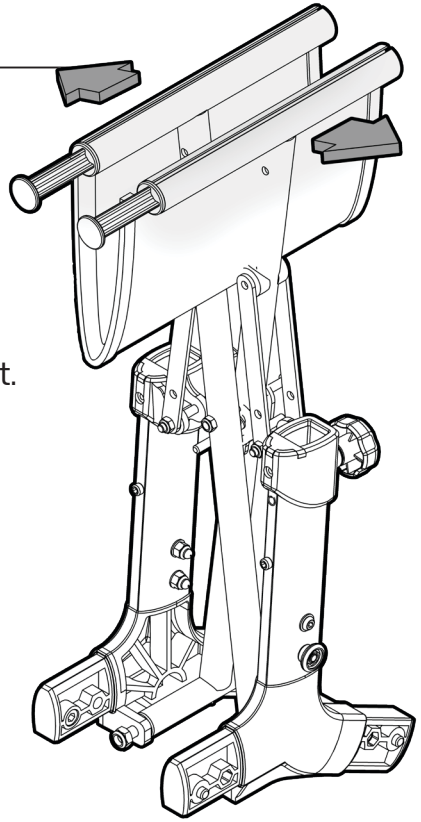
Please take care when unpacking the product and removing the protective packing materials. Check the product for any visible damage. If you see any damage or suspect a fault, **DO NOT USE THE PRODUCT** and contact your supplier for support. Please recycle packaging accordingly :)

UNFOLD FRAME

Please follow these steps to unfold the frame:

1. Using both hands pull the frame apart.

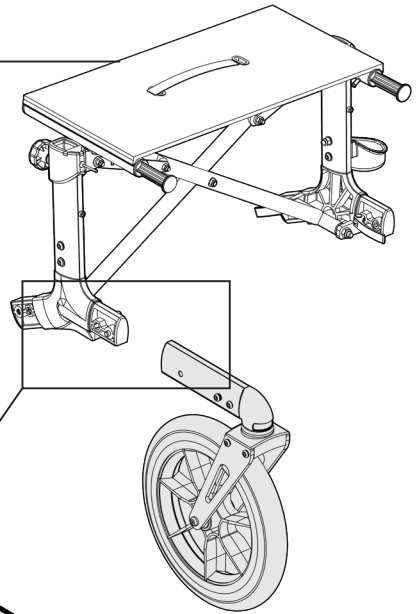
2. Push down on both sides of the seat until a loud “click” is heard which indicates that the seat is now locked in position.



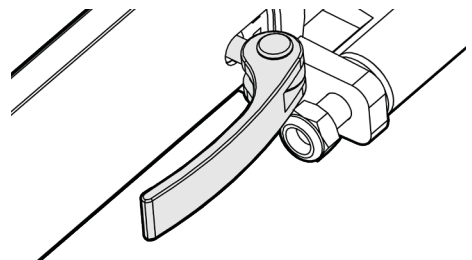
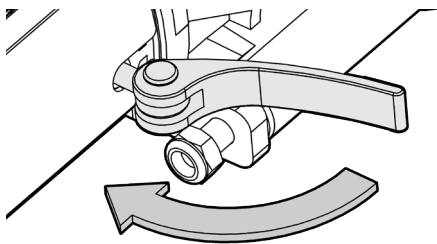
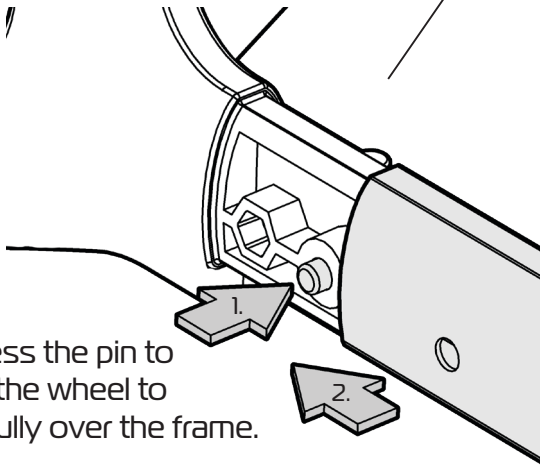
FIT FRONT WHEELS

Please follow these steps to fit the front wheels:

1. Determine the correct front wheel prior to fitting. The lever should be facing inside of the frame.
2. Slide the wheel onto the frame until it hits the pin.



3. Depress the pin to allow the wheel to slide fully over the frame.

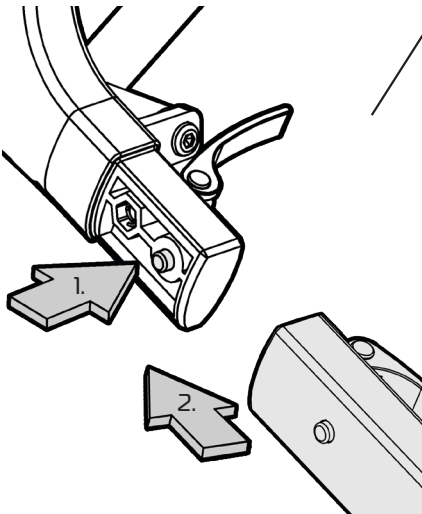
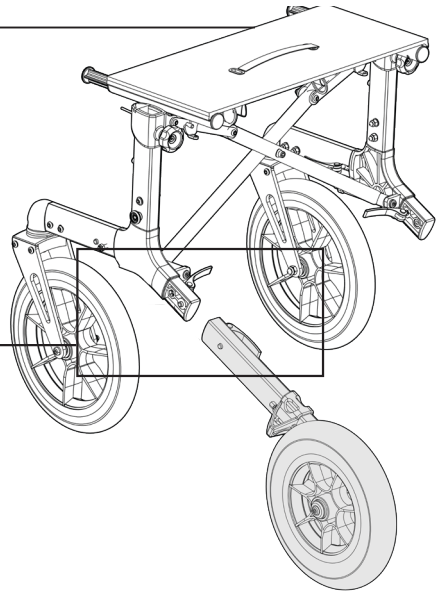


4. Flip the lever on the inside of the frame until tight to secure in place.

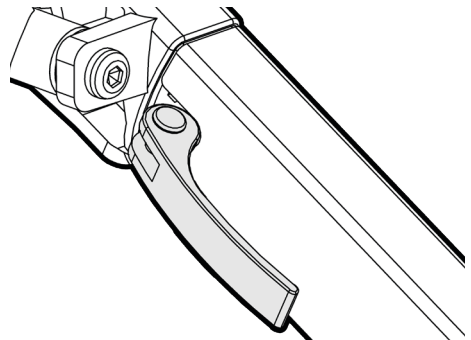
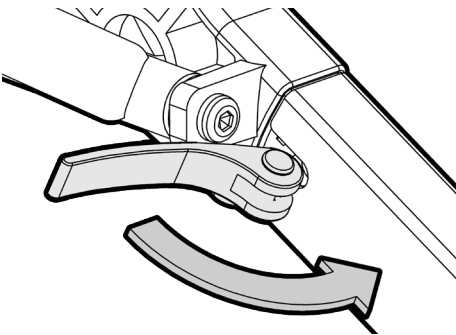
FIT REAR WHEELS

Please follow these steps to fit the rear wheels:

1. Determine the correct rear wheel prior to fitting. The lever should be facing inside of the frame.
2. Slide the wheel onto the frame until it hits the pin.



3. Depress the pin to allow the wheel to slide fully over the frame.

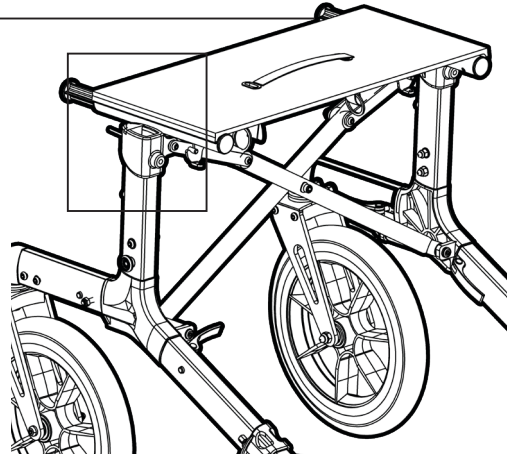


4. Flip the lever on the inside of the frame until tight to secure in place.

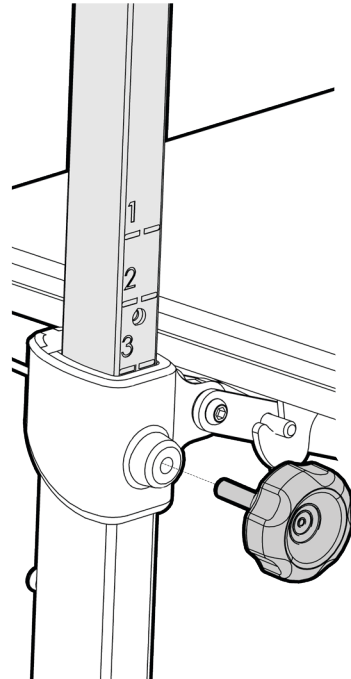
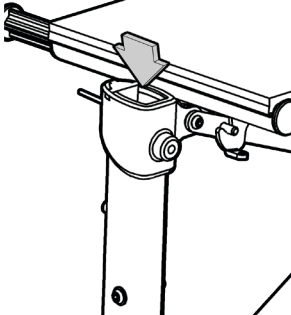
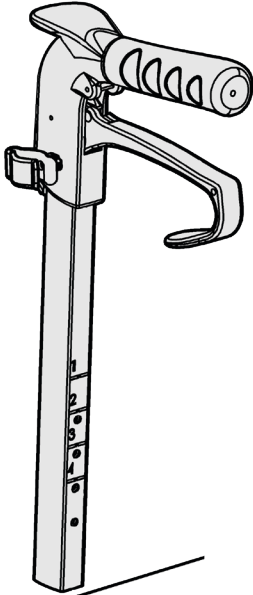
FIT HANDLES

Please follow these steps to fit the handles:

1. Determine the correct handle assembly prior to fitting. Hand grip must be facing to the rear and the brake cable is in line with the rear wheel.
2. Slide the handle tube into the frame as shown.



3. Refer to next page to set handles to an optimal height. Tighten hand wheel at desired number to secure in place.



7

ASK FOR THE BRAND

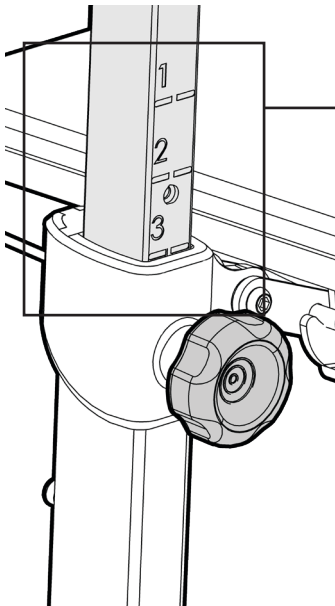
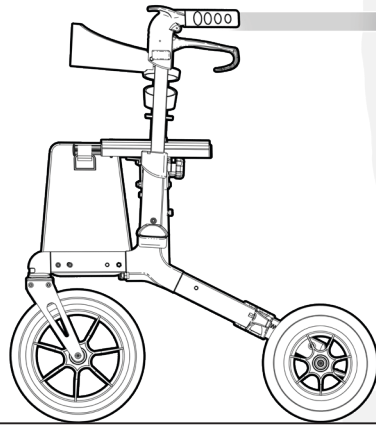
redgumbrandmobility.com.au

ADJUST HANDLES

Please follow these steps to adjust the handles:

It is very important that the handles are set to the correct height to suit the user.

Stand behind the seat walker with your shoulders relaxed and your arms hanging loosely at your sides. The height of the handles should be adjusted so that they are level with your wrists. This will position the arms at the recommended 20 degree bend in the elbow when using a seat walker.

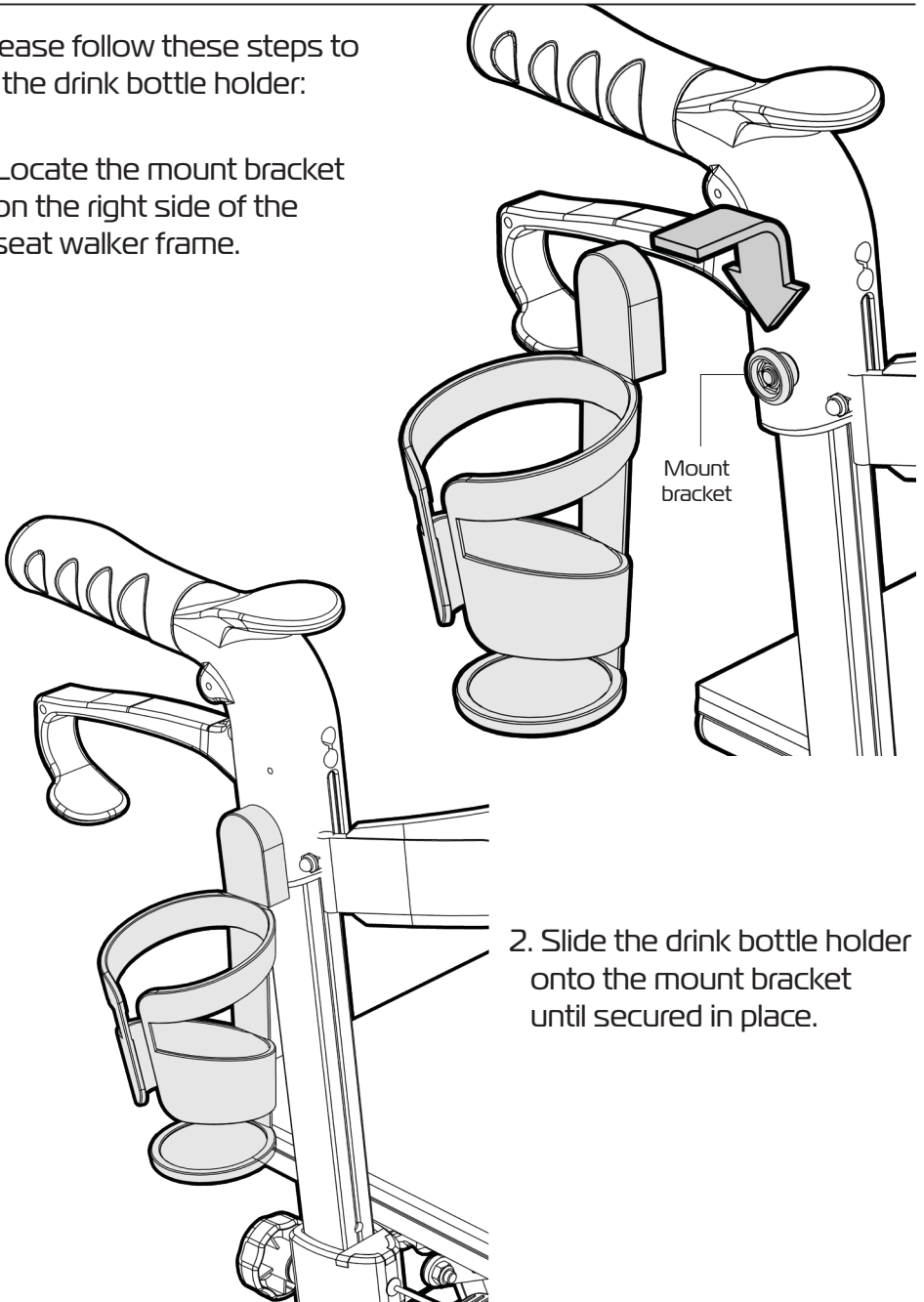


Setting	Handle Height (floor to top of handle)
1.	910mm
2.	935mm
3.	960mm
4.	985mm
5.	1010mm
6.	1035mm
7.	1060mm

FIT DRINK BOTTLE HOLDER

Please follow these steps to fit the drink bottle holder:

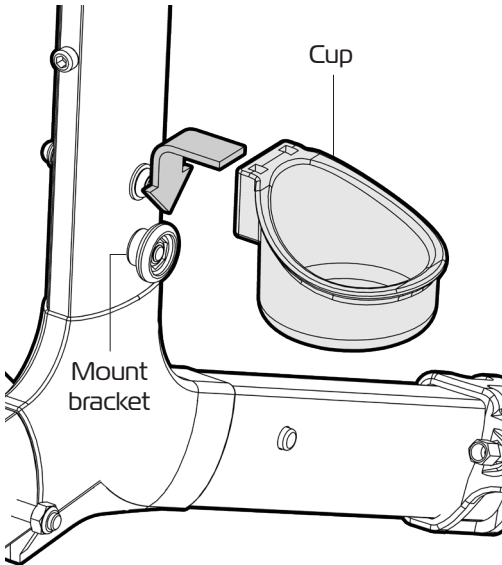
1. Locate the mount bracket on the right side of the seat walker frame.



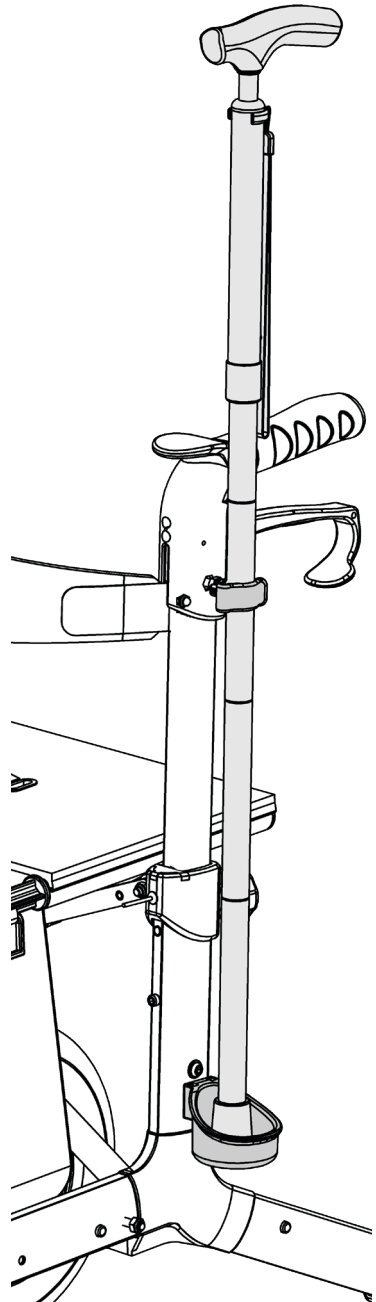
2. Slide the drink bottle holder onto the mount bracket until secured in place.

FIT WALKING STICK CUP

Please follow these steps to fit the walking stick cup:



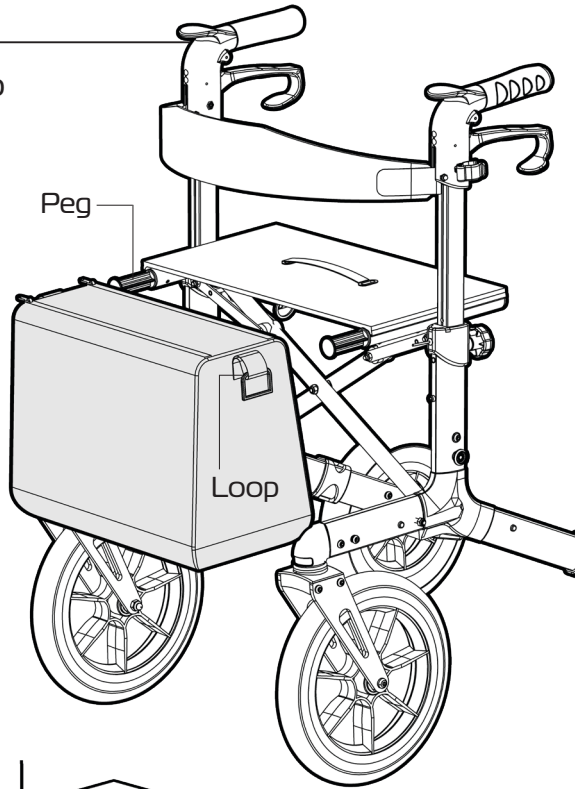
1. Slide the walking stick cup onto the mount bracket located on the left side of the seat walker frame.
2. Once located on the mount bracket, rotate the cup to be inline with the walking stick strap.



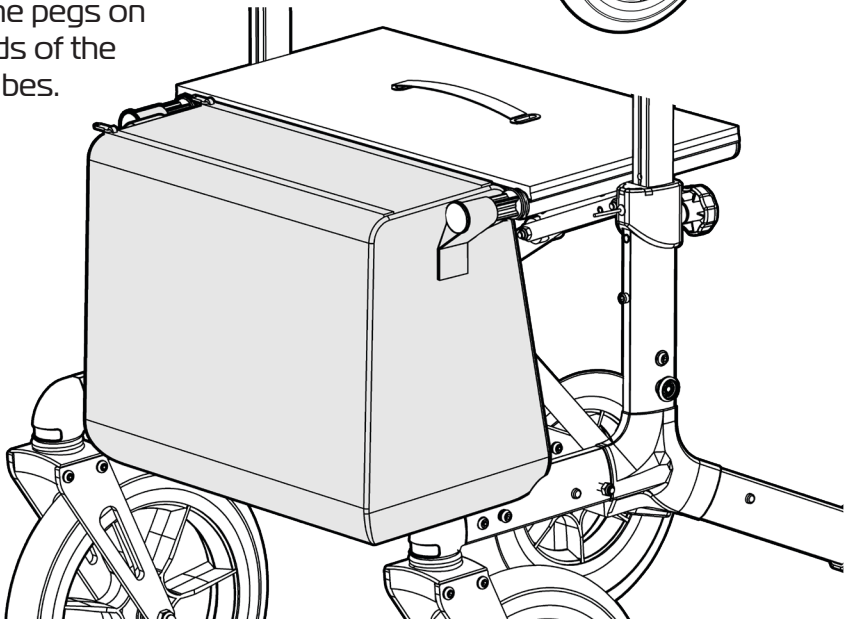
FIT BAG

Please follow these steps to fit the carry bag:

1. Locate the peg on the front of the walker, and the loops on either side of the bag.



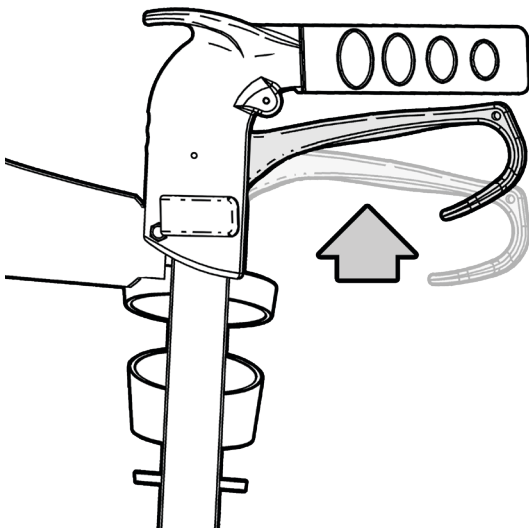
2. Slide the loops on the sides of the bag onto the pegs on the ends of the seat tubes.



BRAKING

Please follow these guidelines to brake the seat walker in a safe manner:

Both hand brakes should be used simultaneously to ensure the seat walker stops as required and the user is in full control.

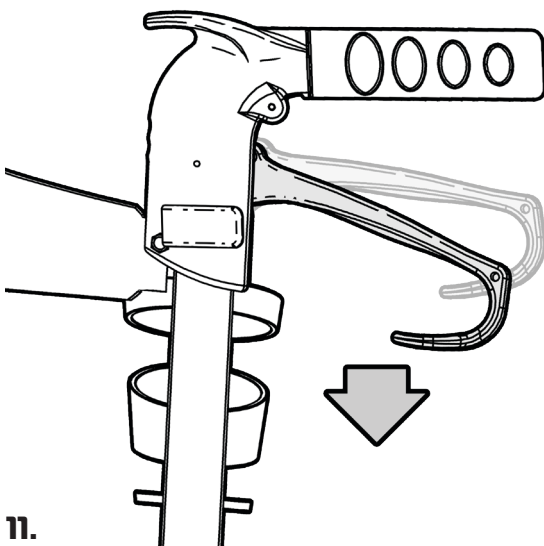


SLOW DOWN AND STOP

To slow down or stop the seat walker from rolling:

Gently pull up on both hand brakes simultaneously.

Release both hand brakes to allow the seat walker to move again.



PARK BRAKE

To engage the park brakes on the seat walker:

Gently push down on both hand brakes simultaneously until a loud click is heard.

To release park brakes:

Pull up on both hand brakes simultaneously until a loud click is heard.

11.

12

USAGE

Please follow these guidelines to operate the Cross Country Seat Walker in a safe manner. Failure to follow these guidelines may result in damage to the product and put the user at risk.

Do not overload the seat walker (**136kg max. load**)

Do not overload the carry bag (**5kg max. load**)

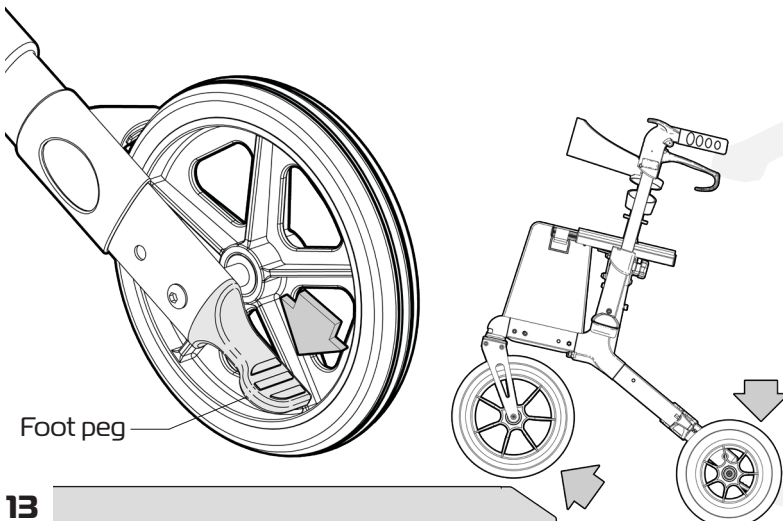
Pinch points do exist on this product. Please keep hands and any other body parts away from moving parts when folding the seat walker.

We recommend that the park brakes are engaged when the user is getting on or off the seat walker.

Go up or down inclines directly. Do not try to cross on an angle as this will cause instability and the seat walker may tip over.

All four wheels should always remain on the ground unless mounting kerbs.

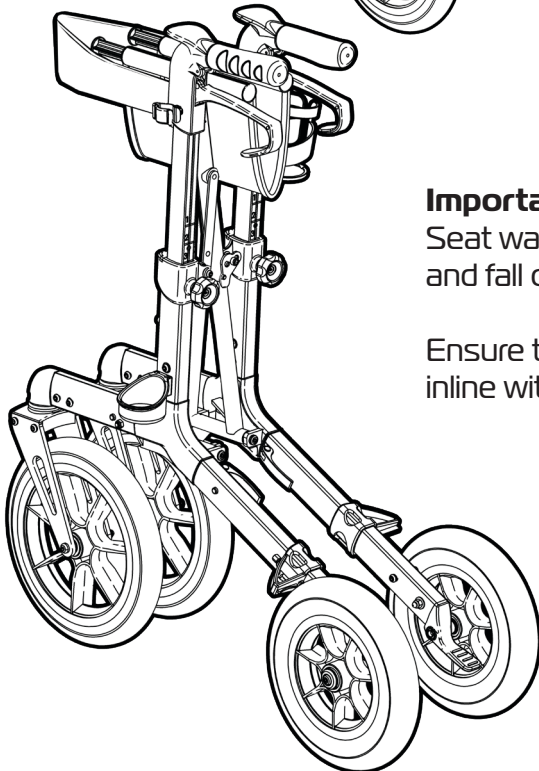
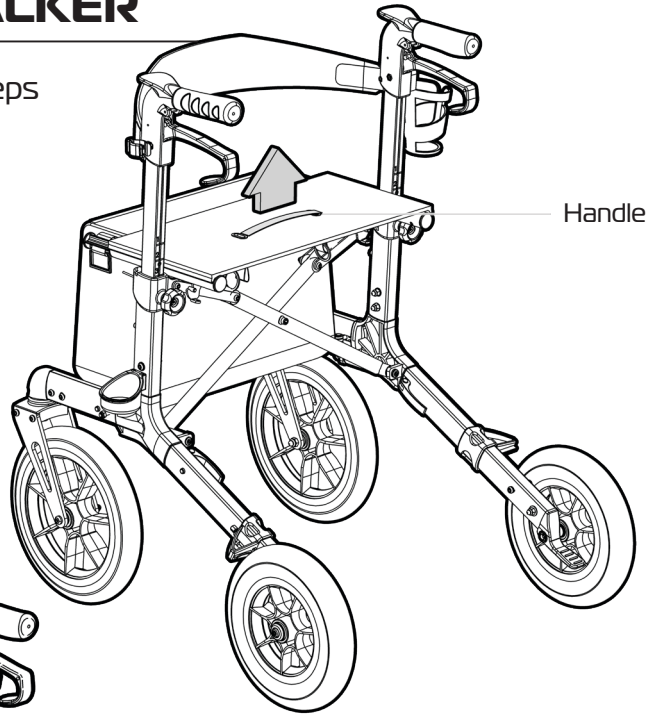
Use the foot peg to help climb over raised surfaces.



FOLDING WALKER

Please follow these steps to fold the seat walker:

1. Pull up on the handle in the middle of the seat to fold up the seat walker.



Important Note:

Seat walker can become unstable and fall over when folded up.

Ensure the front swivel wheels are inline with the seat walker when folded.

Refer to page 4 for instruction on how to unfold the seat walker frame.

PRODUCT CARE

INSPECTIONS

We suggest that you visually check the Cross Country Seat Walker periodically for signs of damage or wear prior to use, paying particular attention to the following areas:

Framework: Check for damage or distortion.

Wheels: Check to ensure the seat walker rolls as required.

Brakes: Check to ensure both brakes work as required

Hand grips: Check for cracks / tears in material.

Overall check that no components are loose or worn and that the seat walker operates as required.



Withdraw the seat walker immediately if you suspect damage or any other fault. If in any doubt, please do not issue or use and contact your supplier for support.

CLEANING

Clean the Cross Country Seat Walker using disinfectant wipes. We do not recommend cleaning the product with soap and water.

We recommend that you attend to any required cleaning as soon as possible to reduce the possibility of staining.

Do not use any abrasive cleaners or abrasive cleaning pads as they could potentially damage the seat walker.

If you have any questions about the cleaning of the Cross Country Seat Walker please contact your supplier or REDGUM brand direct.

WARRANTY

The REDGUM Brand Cross Country Seat Walker (RG4416) is covered by a 12 Month Warranty from the date of purchase.

If the product has any manufacturing faults during this period contact the place of purchase for assessment. Failures as a result of **ACCIDENTAL MISUSE, MODIFICATION OR WEAR AND TEAR ARE NOT COVERED BY THIS WARRANTY.**

During the guarantee period, if the company is satisfied there is a genuine fault, we will repair or replace the product at our earliest convenience. There may be freight charges if product needs to be returned to your place of purchase.

In order for this guarantee to be valid, you must:

- Be the original purchaser
- Provide a copy of the original invoice.
- Comply with manufacturer care and maintenance instructions.

Our goods come with guarantees that cannot be excluded under the Australian Consumer Law. You are entitled to a replacement part for a major failure and for compensation for any other reasonably foreseeable loss or damage. You are entitled to have the goods repaired or replaced if the goods fail to be of acceptable quality and failure does not amount to major failure.

Do not modify the Cross Country Seat Walker in any way or fit any parts or accessories that are not specified as an option for the product. To do so will void your warranty and may seriously compromise your safety.

If you have any issues or questions about the Cross Country Seat Walker please contact your supplier or REDGUM Brand direct on:

T: **+61 8 9248 4180** E: **orders@for-de.com.au**

DISTRIBUTOR:



Explore our whole
range of products!

