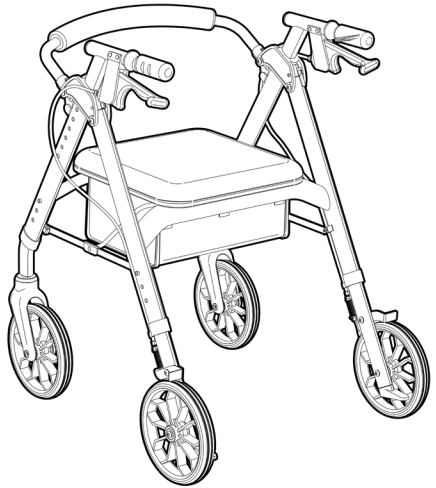


**PRIMO 8**  
**SEAT WALKER**

RG4212



**PRIMO 8HD**  
**BARIATIC SEAT WALKER**

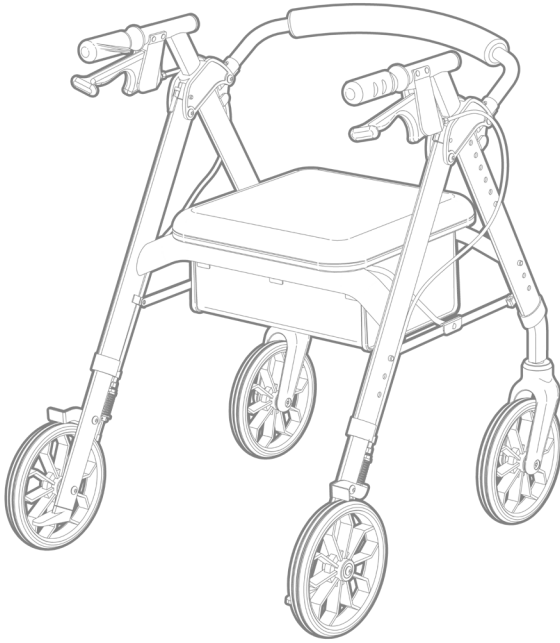
RG4213



**USER MANUAL**

---

Please read and keep these instructions



# **REDGUM** BRAND

*Daily Living and Lifestyle Products*

**REDGUM Brand** owns the **copyright** to the **PRIMO 8 + PRIMO 8HD SEAT WALKER** user manual. Any information contained in this user manual shall not be photocopied, reproduced or translated into any other languages without the prior written consent of REDGUM Brand.

**REDGUM Brand** strives to provide the highest quality products possible. Product is subject to change without notice.

© Copyright **REDGUM Brand** 2021



**REDGUM Brand** is part of **FOR-DE Group Pty Ltd**

[redgumbrand.com.au](http://redgumbrand.com.au)

# CONTENTS

---

1. **INTRODUCTION** - INTENDED USE
2. **PRODUCT OVERVIEW** - FEATURES / SPECIFICATIONS
3. **SET UP** - UNPACK and INSPECT SUPPLIED PARTS
4. **ASSEMBLY** - UNFOLD FRAME
5. **ASSEMBLY** - INSTALL PADDED BACKREST
6. **ASSEMBLY** - INSTALL FRONT WHEELS
7. **ASSEMBLY** - INSTALL REAR WHEELS
8. **ASSEMBLY** - INSTALL HANDLES
9. **ASSEMBLY** - INSTALL HANDLES (continued)
10. **SET UP** - HANDLE HEIGHT ADJUSTMENT
11. **OPERATION** - HAND BRAKES
12. **OPERATION** - HAND BRAKE ADJUSTMENT
13. **OPERATION** - FOLDING WALKER
14. **USAGE GUIDELINES** - DO's + DON'Ts
15. **PRODUCT CARE** - INSPECTIONS / CLEANING
16. **WARRANTY**

# INTRODUCTION

---

Thank you for purchasing this quality **REDGUM Brand** product.

If you have any issues or questions about the seat walker please contact your supplier or **REDGUM Brand** direct:

T: +61 8 9248 4180

E: sales@for-de.com.au

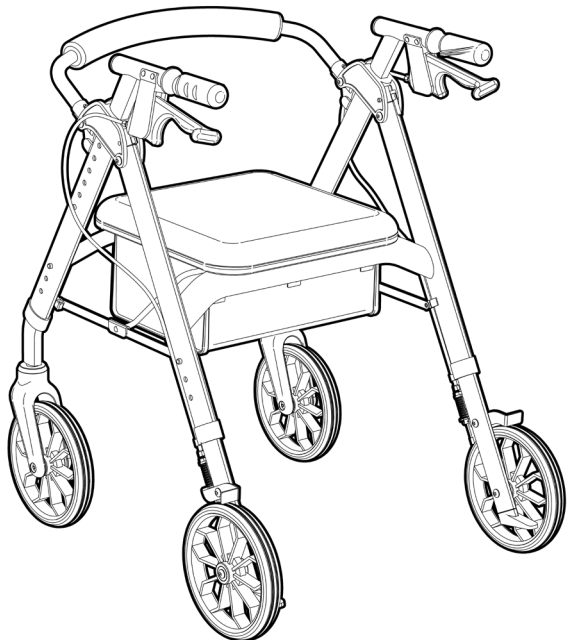
A: 1 Business Way, Malaga Western Australia 6090

## INTENDED USE

This product has limitations and should be used in accordance to these guidelines. Failure to follow these guidelines may result in damage to the product and injury to the user. It is the responsibility of the user to ensure the suitability of this product for its intended use. The user should consult their appropriate healthcare professional if unsure of the correct product usage for their unique circumstances.

Only use the seat walker for its intended purpose which is as a stability aid on which to lean on for support to maintain balance whilst standing or walking.

Refer to usage guideline page for information on how to use the seat walker in a safe manner.



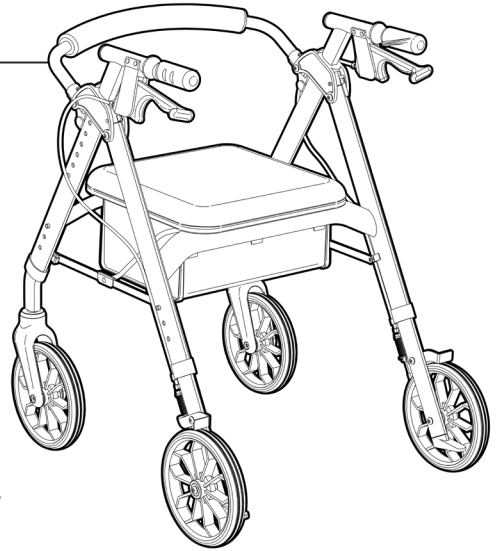
### IMPORTANT NOTE

This equipment **MUST** be set up for use by a competent person.

# PRODUCT OVERVIEW

## FEATURES

- Great walking and stability aid
- Height adjustable seat and handles
- User friendly brakes
- Ergonomic handgrips to reduce pressure
- Comfortable padded seat
- Storage bag underneath seat
- Padded backrest
- Simple brake adjustment
- Large diameter wheels for excellent mobility
- Flat free tyres
- Swivelling front wheels
- Folds up for transit or storage



## SPECIFICATIONS (All dimensions shown are nominal and at lowest setting)

### PRIMO 8 SEAT WALKER (RG4212ADJ)

- Overall Width: **610mm**
- Internal Width: **460mm**
- Depth Unfolded: **660mm**
- Depth Folded: **285mm**
- Overall Height: **810mm** (lowest setting)
- Handle Height: **810 - 920mm** (6 settings)
- Seat: **360mm** (W) x **350mm** (D)
- Seat Height: **505 - 555mm** (floor to top of seat)
- Wheel Diameter: **Ø200mm / 8"**
- Product Weight: **8.3kg**
- Maximum User Weight: **136kg**

### PRIMO 8HD SEAT WALKER (RG4213ADJ)

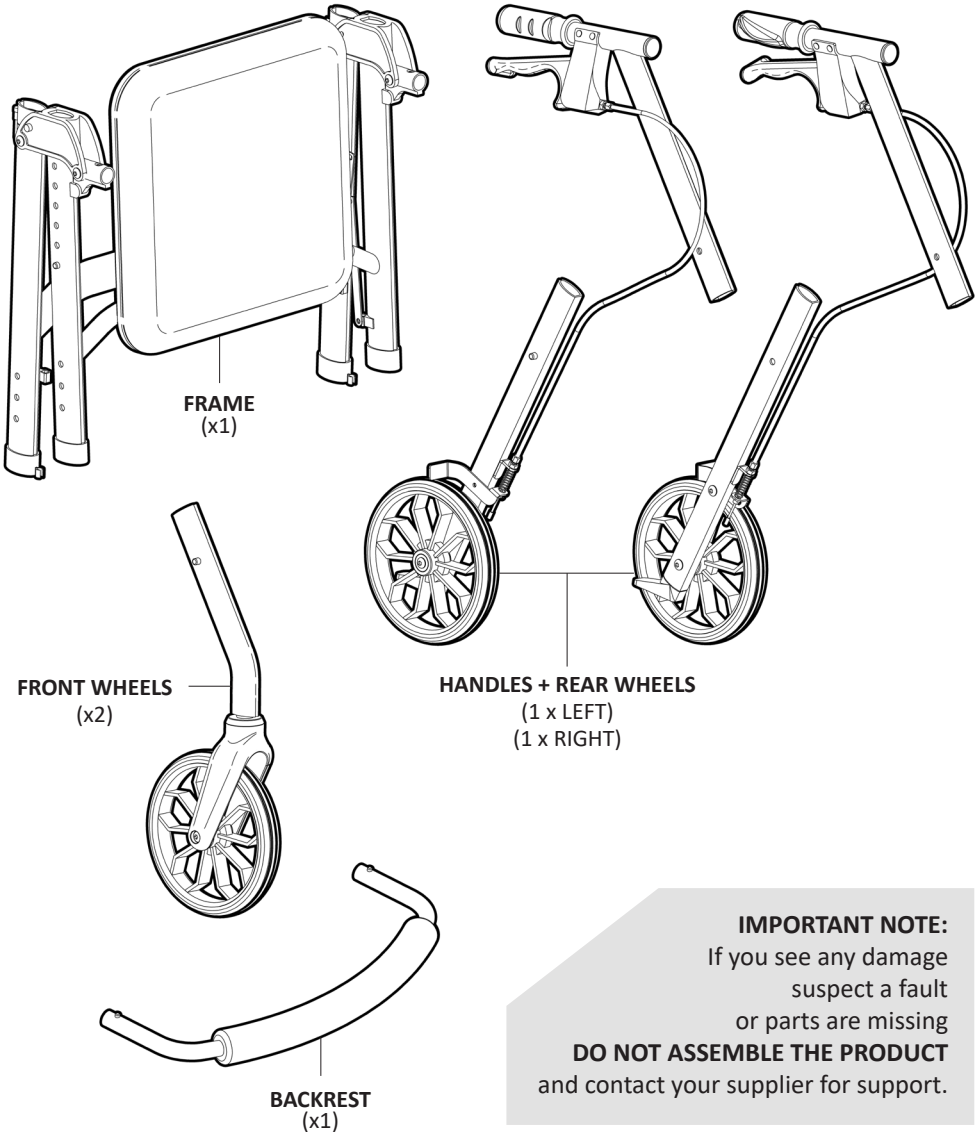
- Overall Width: **700mm**
- Internal Width: **550mm**
- Depth Unfolded: **660mm**
- Depth Folded: **285mm**
- Overall Height: **810mm** (lowest setting)
- Handle Height: **810 - 920mm** (6 settings)
- Seat: **460mm** (W) x **380mm** (D)
- Seat Height: **505 - 555mm** (floor to top of seat)
- Wheel Diameter: **Ø200mm / 8"**
- Product Weight: **9.3kg**
- Maximum User Weight: **205kg**

Please contact **REDGUM Brand** if you would like any further information on the seat walker.

# SET UP - UNPACK and INSPECT SUPPLIED PARTS

Ensure you have been supplied with the following parts:

We recommend that you visually inspect the seat walker parts prior to assembly. Ensure all packaging material has been removed from parts before assembling.



**IMPORTANT NOTE:**  
If you see any damage  
suspect a fault  
or parts are missing  
**DO NOT ASSEMBLE THE PRODUCT**  
and contact your supplier for support.

# ASSEMBLY - UNFOLD FRAME

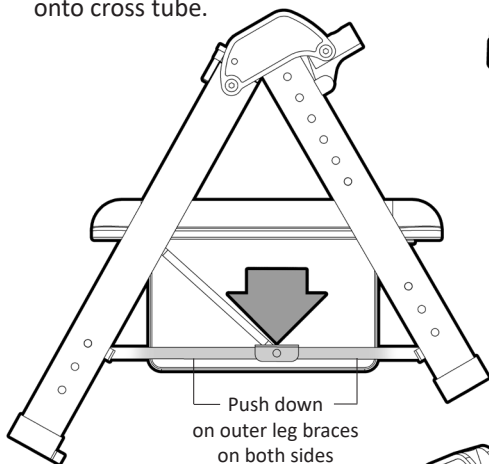
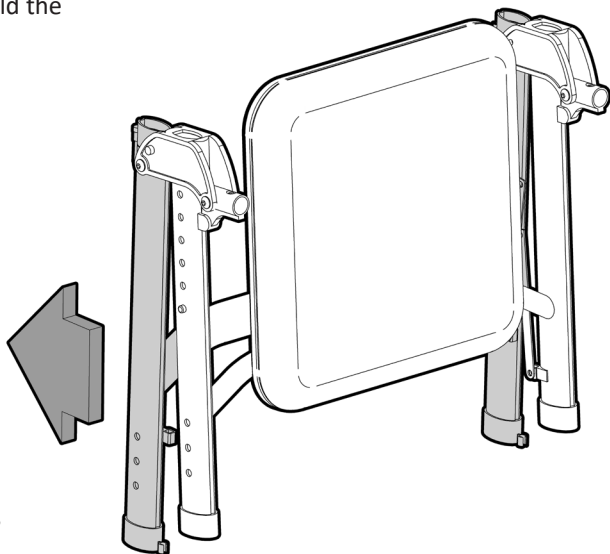
Please follow these steps to unfold the seat walker frame correctly:

1. Stand the frame up as shown.

2. Pull the frame apart.

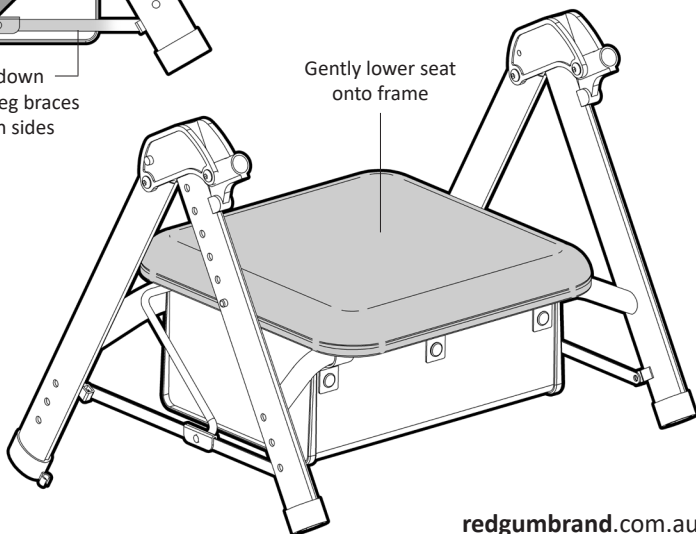
3. Press down on the outer leg braces on both sides of frame to ensure it has fully opened out.

4. Gently lower seat down onto cross tube.



Push down  
on outer leg braces  
on both sides

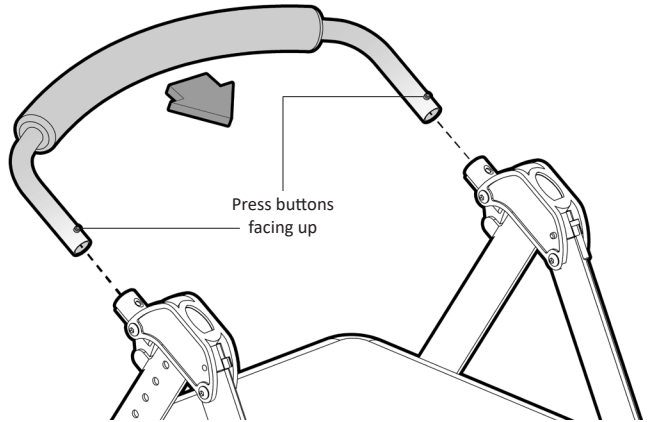
Gently lower seat  
onto frame



# ASSEMBLY - INSTALL PADDED BACKREST

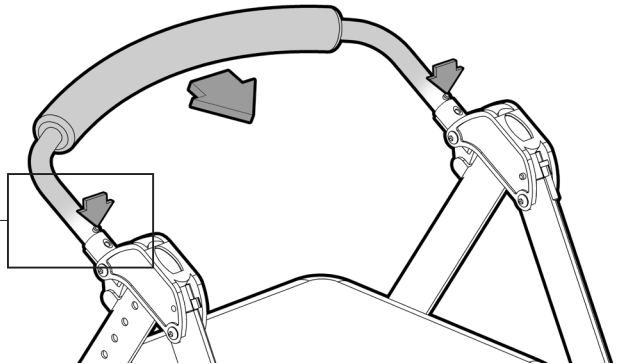
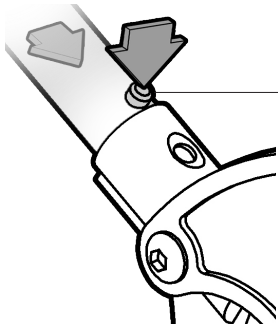
Please follow these steps to install the padded backrest correctly onto the seat walker:

1. Line up the tubes on the padded backrest with the pivot brackets on the frame. Press buttons on both ends are to be facing up.

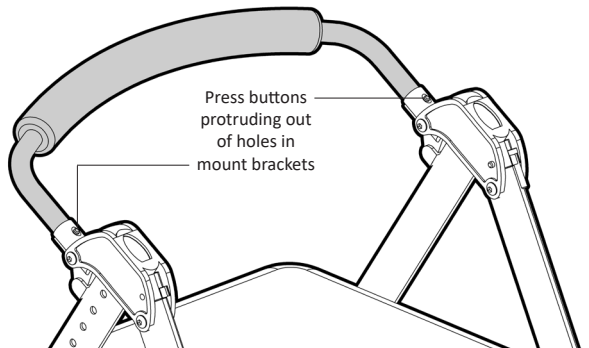


2. Push the backrest tubes into the pivot brackets

3. Press in both press buttons on either side of the backrest and continue to slide the backrest tubes into the pivot brackets.



4. Continue to push the backrest in until you hear 2 audible "CLICKS". These clicking sounds confirm that the backrest is properly fitted to the seat walker. Press button head need to be protruding out of hole in pivot brackets.



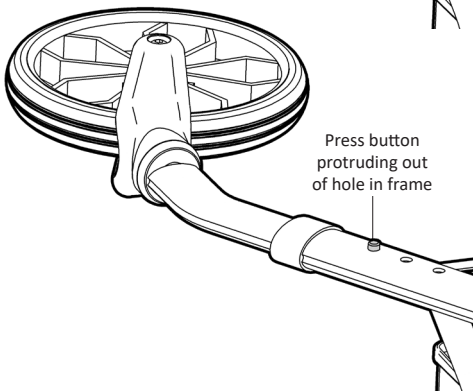
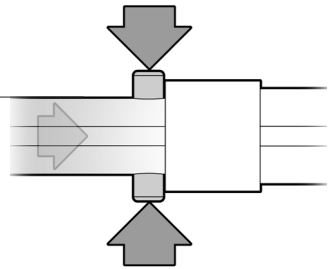
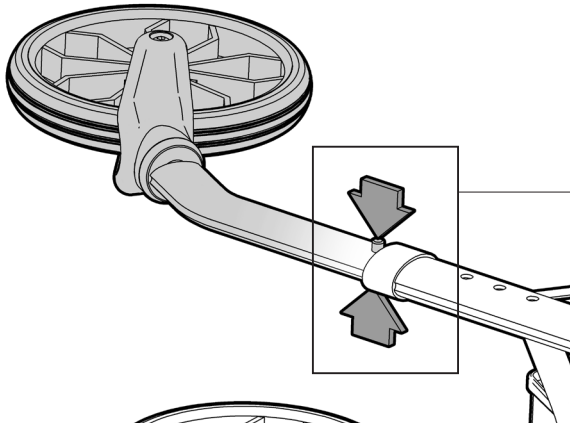
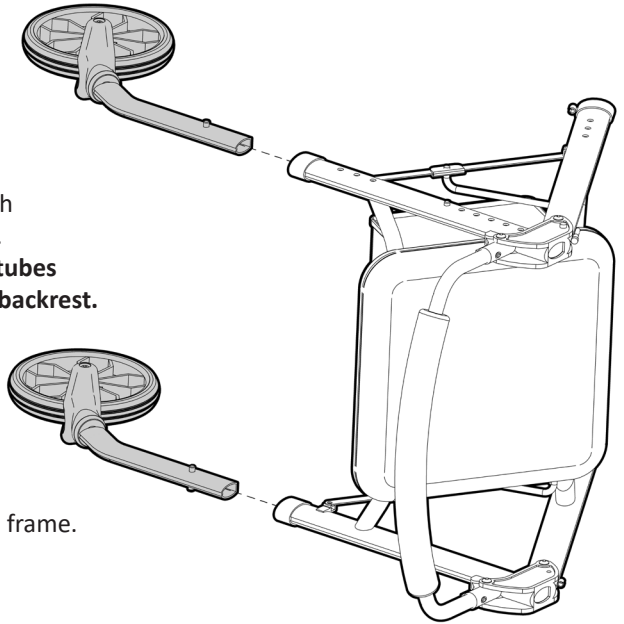
5.



# ASSEMBLY - INSTALL FRONT WHEELS

Please follow these steps to install the front wheels onto seat walker frame correctly:

1. Place frame on its side.
2. Line up the tube on wheel with the correct tube on the frame.  
**Front wheels locate in frame tubes on same side of frame as the backrest.**
3. Push the wheel tube into the frame tube.
4. Press in press buttons on both sides of the tube and continue to slide the tube into frame.



5. Continue to push the wheel tube in until you hear an audible "CLICK". This click sound confirms that the front wheel is properly fitted to the frame. Press button head must be protruding out of hole in side of frame tube.

6. Repeat process to fit other front wheel.

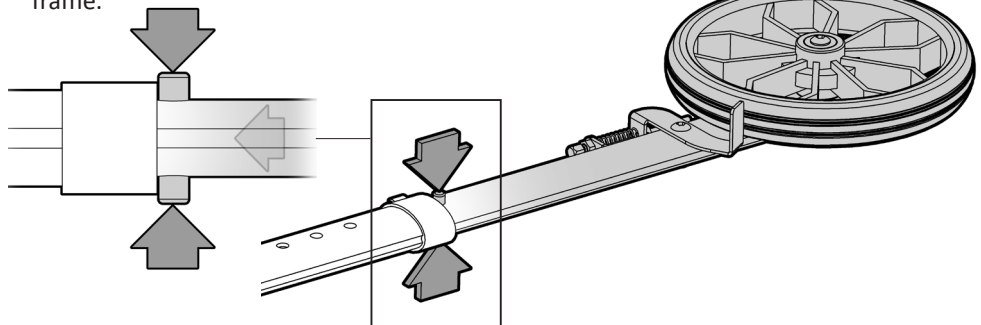
# ASSEMBLY- INSTALL REAR WHEELS

Please follow these steps to install the rear wheels onto the seat walker frame correctly:

1. Line up the tube on wheel with the correct tube on the frame. **Wheel must be facing out.**

2. Push the wheel tube into the frame tube.

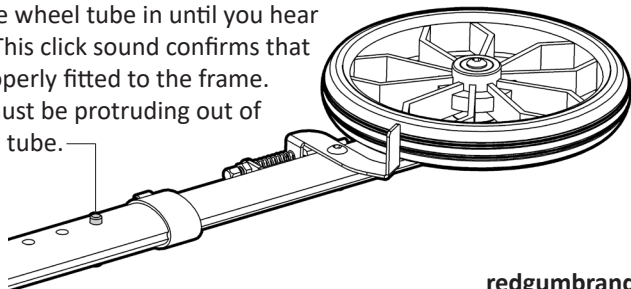
3. Press in press buttons on both sides of the tube and continue to slide the tube into frame.



4. Continue to push the wheel tube in until you hear an audible "CLICK". This click sound confirms that the rear wheel is properly fitted to the frame. Press button head must be protruding out of hole in side of frame tube.

5. Repeat process to fit other rear wheel.

7.



# ASSEMBLY- INSTALL HANDLES

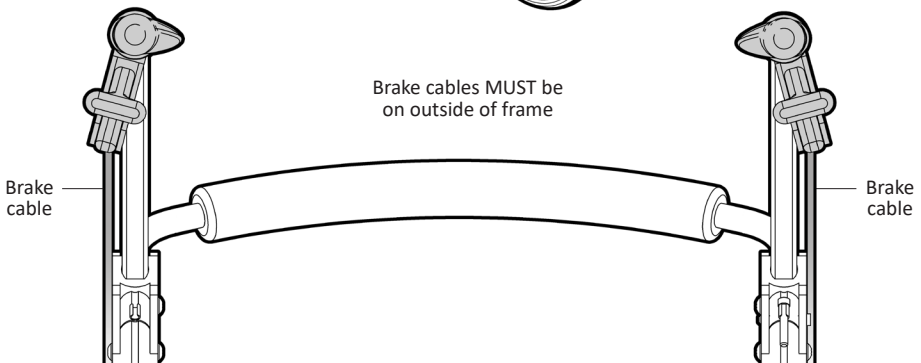
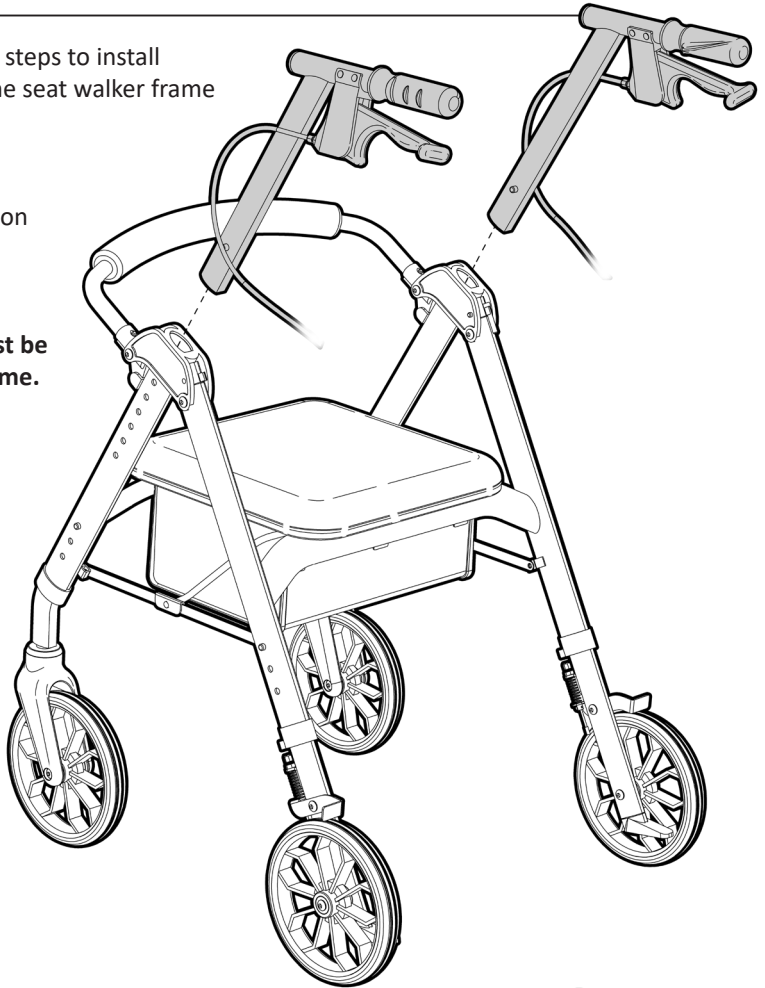
Please follow these steps to install the handles onto the seat walker frame correctly:

1. Line up the tube on handle with the correct tube on the frame.

**Brake cables must be on outside of frame.**

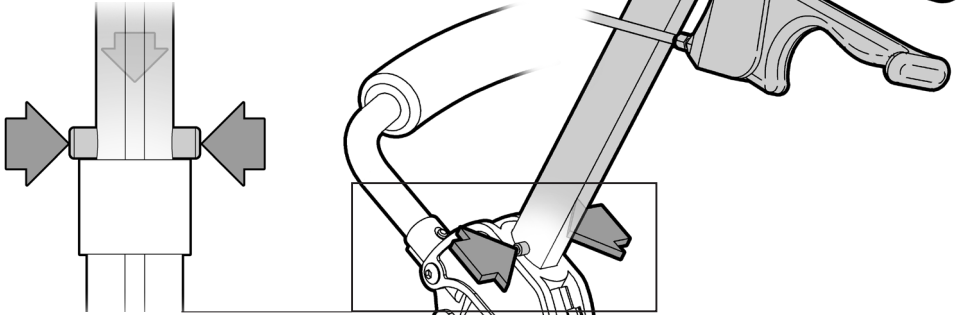
2. Push the handle tube into the frame tube.

Refer to next page for further instructions...

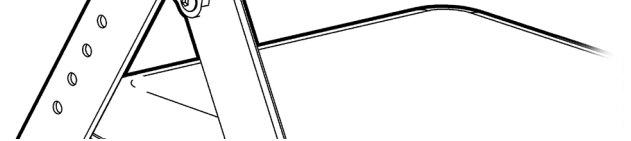


# ASSEMBLY- INSTALL HANDLES (Continued)

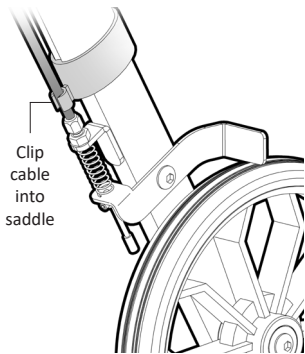
3. Press in press buttons on both sides of the tube and continue to slide the tube into frame.



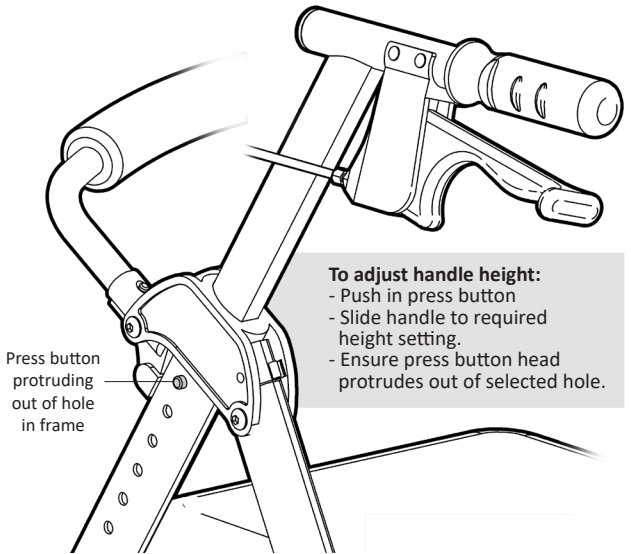
4. Continue to push the handle tube in until you hear an audible “CLICK”. This click sound confirms that the handle is properly fitted to the frame. Press button head must be protruding out of hole in side of frame tube.



5. Clip brake cable into plastic saddle on rear leg.



Clip cable into saddle



Press button protruding out of hole in frame

#### To adjust handle height:

- Push in press button
- Slide handle to required height setting.
- Ensure press button head protrudes out of selected hole.

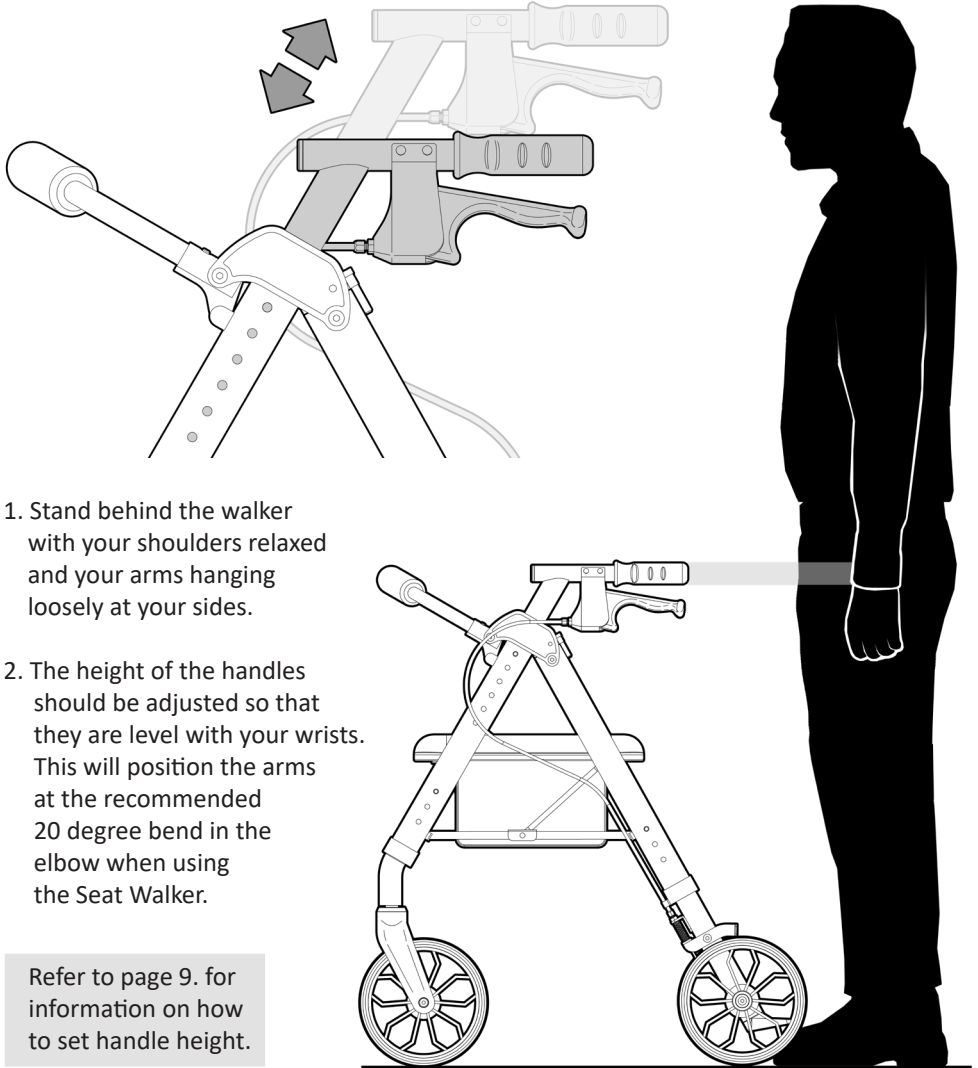
6. Repeat process to fit other handle.

# SET UP - HANDLE HEIGHT ADJUSTMENT

---

It is very important that the handles on the seat walker are set to the correct height to suit the user.

Follow these steps to set the handle height to provide the best support:



1. Stand behind the walker with your shoulders relaxed and your arms hanging loosely at your sides.
2. The height of the handles should be adjusted so that they are level with your wrists. This will position the arms at the recommended 20 degree bend in the elbow when using the Seat Walker.

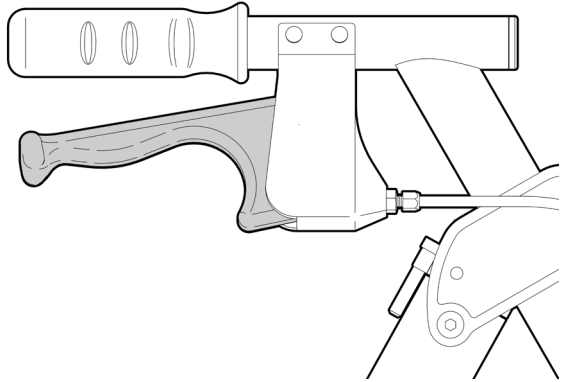
Refer to page 9. for information on how to set handle height.

# OPERATION - HAND BRAKES

The seat walker has hand brakes on both handles.

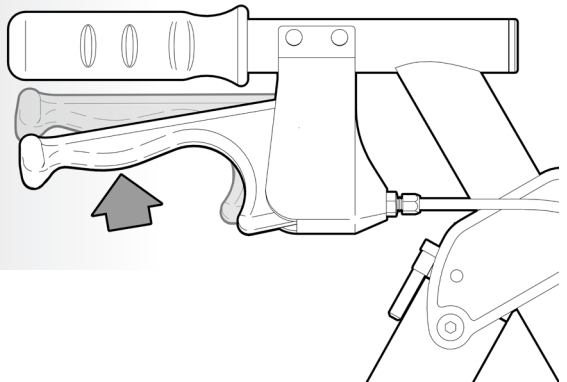
## IMPORTANT NOTE

Both hand brakes should be used simultaneously to ensure your seat walker stops as required and you are in control.



To STOP, gently pull upwards on both brakes simultaneously. This will slow down and stop the seat walker.

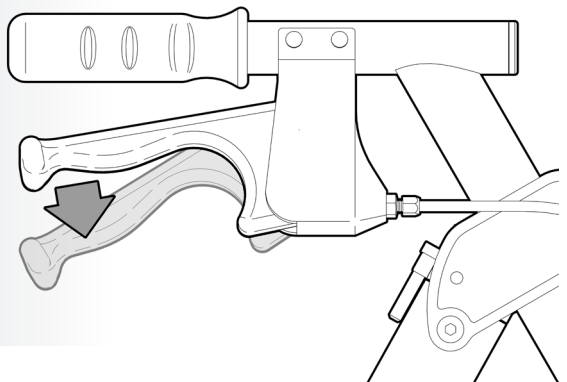
Release both brakes to allow the seat walker to become mobile again.



The brakes on your seat walker also have a park brake option.

To engage the park brake: Push downwards on both brakes simultaneously. Push the brakes down until you hear a click.

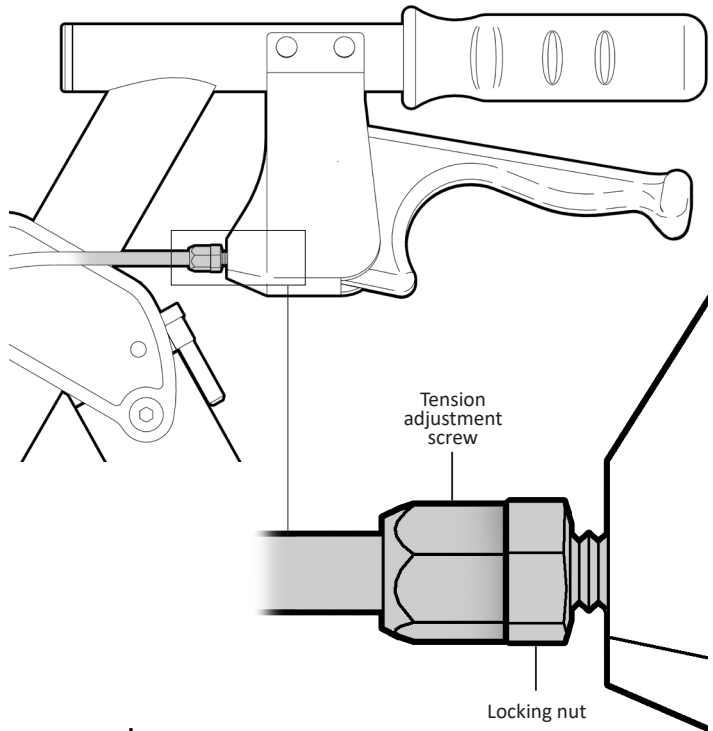
To unlock, simply pull the brakes up. You will hear a click as the 'park lock' disengages.



# OPERATION - HAND BRAKE ADJUSTMENT

---

The seat walker brake system might require adjustment from time to time.



Adjustment is required when either the brake or park brake no longer stops the rear wheel from spinning.

## **If the brake does not engage enough:**

Loosen the locking nut and turn the tension adjustment screw one full turn **clockwise** (as viewed from standing at the back of the walker). If this does not correct the adjustment, repeat one full turn at a time until you have adjusted your brakes. Make sure the locking nut is spun tight against the tension adjustment screw to prevent the screw from loosening.

## **If the brake engages too much:**

Loosen the locking nut and turn the tension adjustment screw one full turn **anti - clockwise** (as viewed from standing at the back of the walker). If this does not correct the adjustment, repeat one full turn at a time until you have adjusted your brakes. Make sure the locking nut is spun tight against the tension adjustment screw to prevent the screw from loosening.

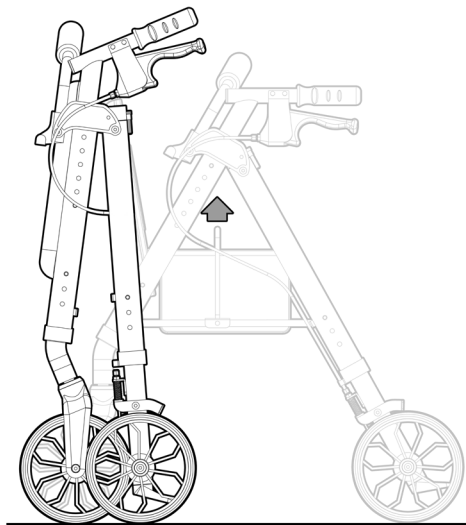
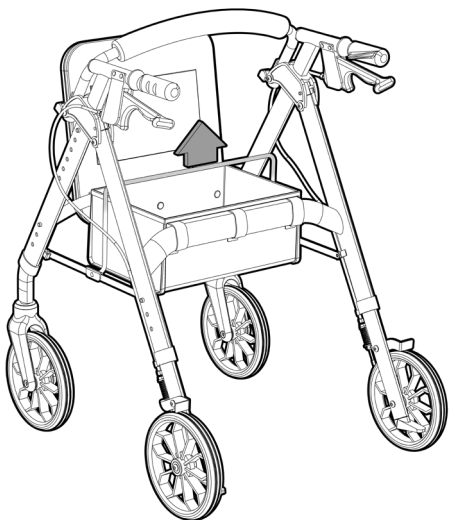
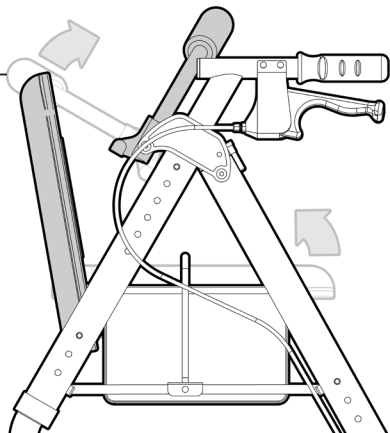
If you have any issues or questions about brake adjustment please contact your supplier or **REDGUM Brand** direct.

# OPERATION - FOLDING WALKER

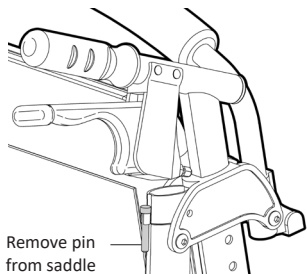
Your seat walker can be folded up to reduce the amount of room it takes up when being transported or stored.

Please follow these steps to fold the seat walker correctly:

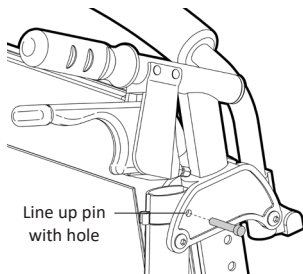
1. Rotate the padded backrest up.
2. Rotate the padded seat up.
3. Pull up on the handle. As you pull up, the frame will start to come together.



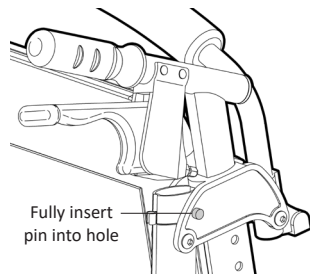
The seat walker can be fixed in the folded position (Refer below).



Remove pin from saddle



Line up pin with hole



Fully insert pin into hole

**Note:** Ensure pin is removed prior to unfolding seat walker



# USAGE GUIDELINES - DO's + DON'TS

---

Please follow these guidelines to get the optimal benefit from the seat walker.

Failure to follow these guidelines may result in damage to the seat walker and put the user at risk.

Periodically inspect to the seat walker prior to use to ensure it is in good working order. (Refer to page 15)

Always check that brakes are working prior to using the seat walker.

The seat walker is designed to be used indoors and outdoors.

Take care when using the seat walker on uneven or wet ground.

The seat walker is designed to take  
RG4212 - PRIMO 8 SEAT WALKER: 136kg max. load.  
RG4213 - PRIMO 8HD BARIATRIC SEAT WALKER: 205kg max. Load.  
Do not overload the product!

Do not overload the storage bag under seat. (Max. load: 5kg)

Never self propel the seat walker while seated. (The seat walker is not a wheelchair)

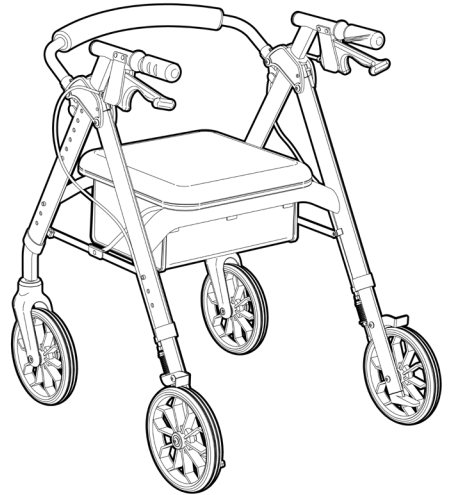
Always adjust the handles to the correct height to suit the user. (Refer to page 10)

Take care when seat walker is in the folded position as it may fall over if not supported or laid down.

Never hang any objects off the side of the seat walker as it may tip over.

Ensure all four legs remain in contact with the ground when the seat walker is in use. Do not lean too far to one side or lean backwards causing the legs to leave the ground.

If you have any issues or questions about the seat walker please contact your supplier or **REDGUM Brand** direct.



# PRODUCT CARE - INSPECTIONS / CLEANING

---

## INSPECTIONS

We suggest that the seat walker is visually checked periodically for signs of damage or wear prior to use. Overall check the following:

- Frame has no distortion.
- Plastic components (brakes / handgrips etc) are not damaged or cracked.
- Brakes work as required. (Refer to page 12. for brake adjustment information)
- Seat is not damaged or split.
- Wheels are not damaged and spin freely (remove any hair or lint).



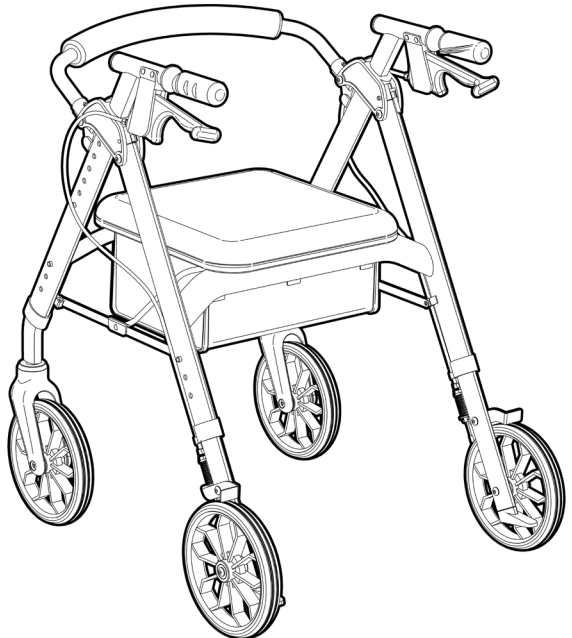
**Withdraw the seat walker immediately if you suspect damage or any other fault. If in any doubt, please do not issue or use, but immediately contact your supplier for service support.**

## CLEANING

Clean the seat walker using a non-abrasive cleaner or mild detergent with a soft cloth.

Abrasive cleaners or abrasive cleaning pads could damage the seat walker and should not be used.

If you have any issues or questions about the seat walker please contact your supplier or **REDGUM Brand** direct.



# WARRANTY

---

The **REDGUM Brand**:

**RG4212 - PRIMO 8 SEAT WALKER**

**RG4213 - PRIMO 8HD BARIATRIC SEAT WALKER**

are covered by a **12 Month Warranty** from the date of purchase.

If the product has any manufacturing faults during this period contact the place of purchase for assessment. Failures as a result of **ACCIDENTAL MISUSE, MODIFICATION OR WEAR AND TEAR ARE NOT COVERED BY THIS WARRANTY.**

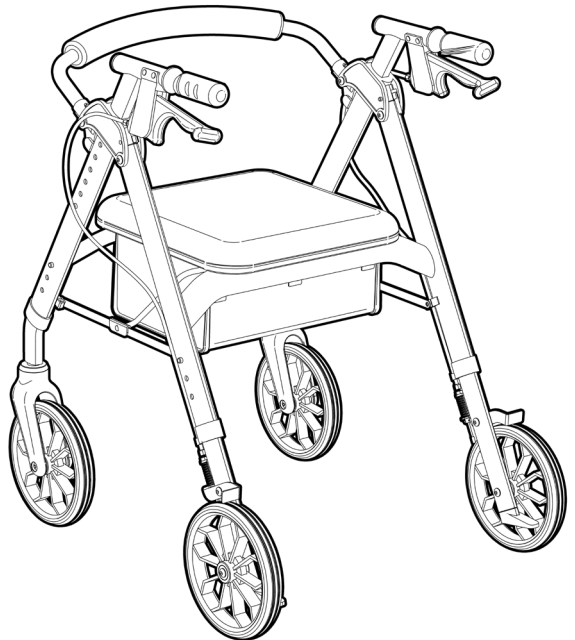
Our goods come with guarantees that cannot be excluded under the Australian Consumer Law. You are entitled to a replacement part for a major failure and for compensation for any other reasonably foreseeable loss or damage. You are entitled to have the goods repaired or replaced if the goods fail to be of acceptable quality and failure does not amount to major failure.

If you have any issues or questions about the seat walker please contact your supplier or **REDGUM Brand** direct on:

T: +61 8 9248 4180

E: [sales@for-de.com.au](mailto:sales@for-de.com.au)

A: 1 Business Way, Malaga  
Western Australia 6090



**Please keep this  
User Manual  
in a safe place  
for future reference.**

**DISTRIBUTOR:**

**REDGUM** BRAND  
*Daily Living and  
Lifestyle Products*



**Proudly Australian Owned and Operated**

[redgumbrand.com.au](http://redgumbrand.com.au)