

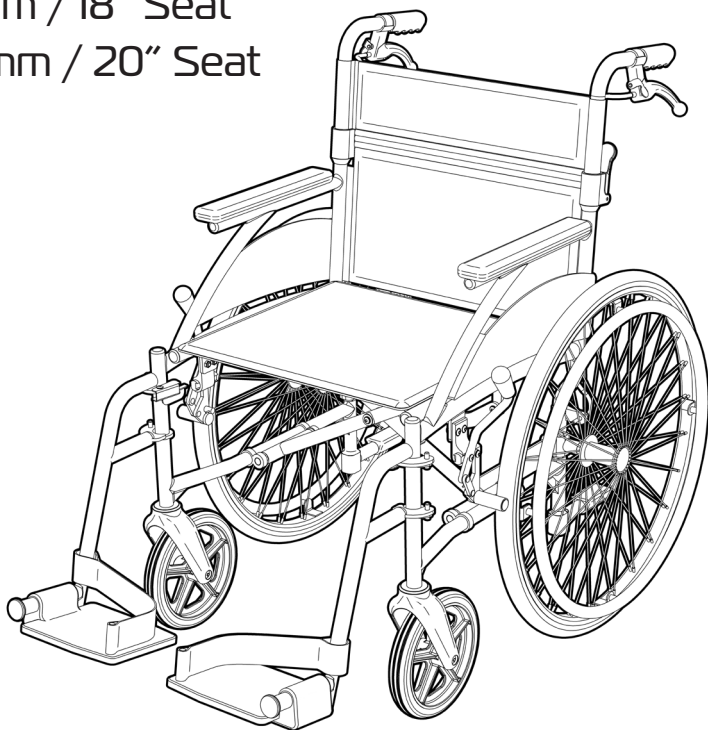
REDGUM BRAND
Daily Living and
Lifestyle Products

CRYSTAL 2 SELF PROPEL WHEELCHAIR

RG18B: 450mm / 18" Seat

RG20B: 500mm / 20" Seat

Edition 3



USER MANUAL

Please read and keep these instructions

ASK FOR THE BRAND

redgumbrand.com.au

REDGUM BRAND

*Daily Living and
Lifestyle Products*

REDGUM Brand owns the copyright to the **CRYSTAL 2 Self Propel Wheelchair** user manual. Any information contained in this user manual shall not be photocopied, reproduced or translated into any other languages without the prior written consent of REDGUM Brand.

REDGUM Brand strives to provide the highest quality products possible. Products are subject to change without notice.

© Copyright **REDGUM Brand**



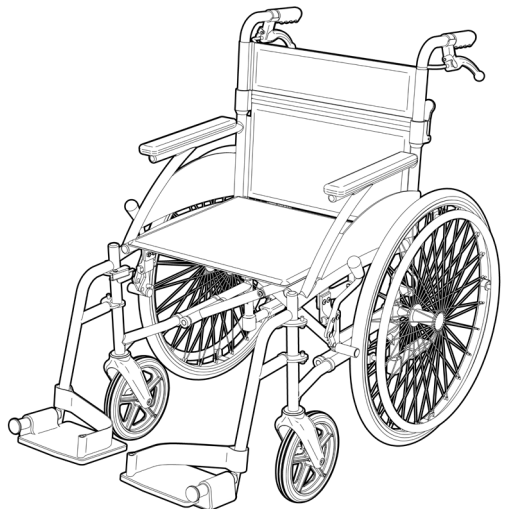
REDGUM Brand is part of **FOR-DE Group Pty Ltd**

ASK FOR THE BRAND

redgumbrand.com.au

CONTENTS

1. **INTRODUCTION** - INTENDED USE
2. **PRODUCT OVERVIEW** - FEATURES / SPECIFICATIONS
3. **SET UP** - UNPACK and INSPECT SUPPLIED PARTS
4. **SET UP** - WHEELCHAIR UNFOLDING / FOLDING
5. **SET UP** - BACKREST UNFOLDING / FOLDING
6. **SET UP** - FIT SWING AWAY FOOTRESTS
7. **OPERATION** - HAND BRAKES
8. **OPERATION** - SWING AWAY FOOTPLATES
9. **OPERATION** - QUICK RELEASE REAR WHEELS
10. **USAGE GUIDELINES** - DO's + DON'Ts
11. **PRODUCT CARE** - INSPECTIONS / CLEANING
12. **WARRANTY**



INTRODUCTION

Thank you for purchasing this quality **REDGUM Brand** product.

If you have any issues or questions about the **CRYSTAL 2 Self Propel Wheelchair** please contact your supplier or REDGUM Brand direct:

T: +61 8 9248 4180

E: sales@for-de.com.au

A: 1 Business Way, Malaga Western Australia 6090

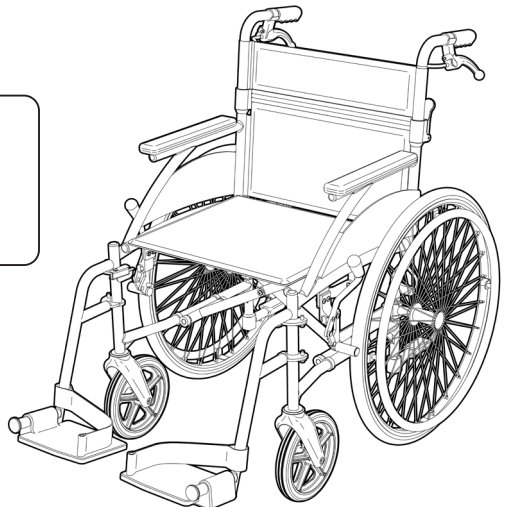
INTENDED USE

This product has limitations and should be used in accordance to these guidelines. Failure to follow these guidelines may result in damage to the product and injury to the user. It is the responsibility of the user to ensure the suitability of this product for its intended use. The user should consult their appropriate healthcare professional if unsure of the correct product usage for their unique circumstances.

Only use your **CRYSTAL 2 Self Propel Wheelchair** for its intended purpose which is as a short term usage mobile chair for a single user that is operated by the occupant or a attendant / carer. Refer to usage guideline page for information on how to use the wheelchair in a safe manner.

IMPORTANT NOTE

This equipment **MUST** be assembled for use and operated by a competent person.



1.

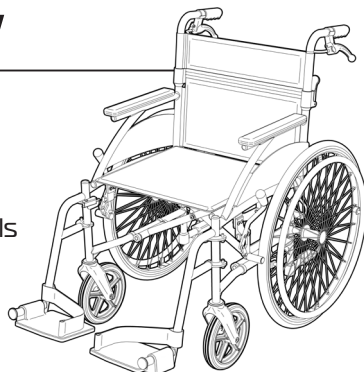
ASK FOR THE BRAND

redgumbrand.com.au

PRODUCT OVERVIEW

FEATURES

- Lightweight wheelchair (Aluminium frame)
- Compact - folding frame and fold down backrest
- 24" flat free self propelling quick release rear wheels
- 8" flat free front swivel castors
- Attendant operated hand brakes on push handles
- Occupant operated hand brakes
- Removable / Adjustable height swing up footrest with fold up footplates with heel straps
- Padded armrests



SPECIFICATIONS (All dimensions shown are nominal)

Overall: (including swing away footrests)

RG18B (450mm / 18" Seat): **660mm** (W) x **1080mm** (L) x **925mm** (H)

RG20B (500mm / 20" Seat): **705mm** (W) x **1080mm** (L) x **925mm** (H)

Folded Overall: (Rear wheels / footrest removed)

RG18B (450mm / 18" Seat): **300mm** (W) x **670mm** (L) x **735mm** (H)

RG20B (500mm / 20" Seat): **300mm** (W) x **670mm** (L) x **775mm** (H)

Seat: (Between armrests)

RG18B (450mm / 18" Seat): **450mm** (W) x **420mm** (D) x **520mm** (H)

RG20B (500mm / 20" Seat): **500mm** (W) x **420mm** (D) x **520mm** (H)

Armrests:

300mm (L) x **50mm** (W) x **220mm** (H - from seat)

Backrest:

RG18B (450mm / 18" Seat): **450mm** (W) x **400mm** (H - from seat)

RG20B (500mm / 20" Seat): **500mm** (W) x **400mm** (H - from seat)

Footrests:

Width: **175mm** (W) x **155mm** (D) x **340 - 440mm** (H - from seat)

Wheels:

Front: **Ø200mm (8") flat free swivel castors**

Rear: **Ø610mm (24") flat free self propel**

Product Weight:

RG18B (450mm / 18" Seat): **12.5kg**

RG20B (500mm / 20" Seat): **13.3kg**

Maximum User Weight:

127kg (evenly distributed)

Please contact
REDGUM Brand
if you would like any
further information on the
CRYSTAL 2 Self Propel Wheelchair.

SET UP - UNPACK and INSPECT SUPPLIED PARTS

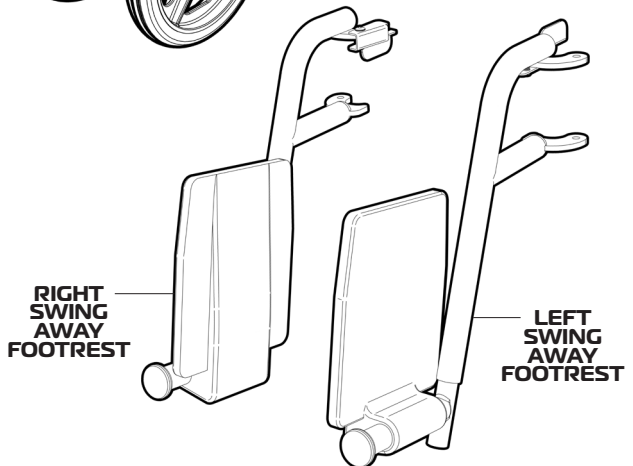
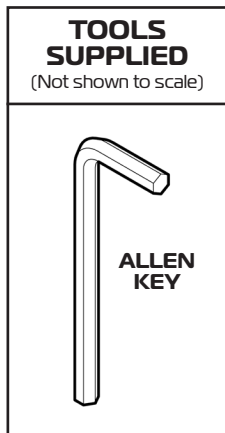
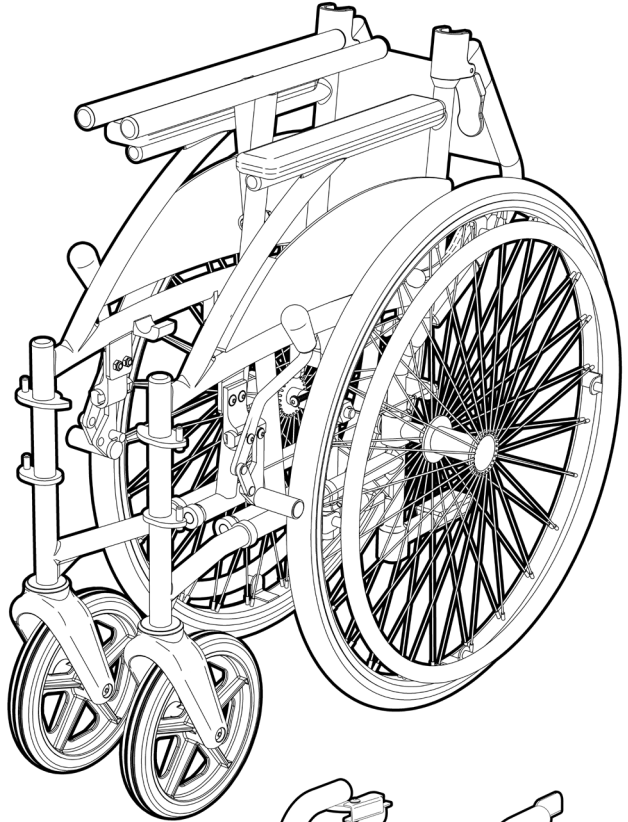
Ensure you have been supplied with the following parts:

We recommend that you visually inspect the following aspects of the wheelchair prior to use:

- Framework
- Upholstery
- Wheels
- Brakes + cables

IMPORTANT NOTE:

If you see any damage or suspect a fault, **DO NOT USE THE PRODUCT** and contact your supplier for support.



3.

ASK FOR THE BRAND

redgumbrand.com.au

SET UP - WHEELCHAIR UNFOLDING / FOLDING

The **CRYSTAL 2 Self Propel Wheelchair** requires unfolding prior to use.

Please follow these steps:

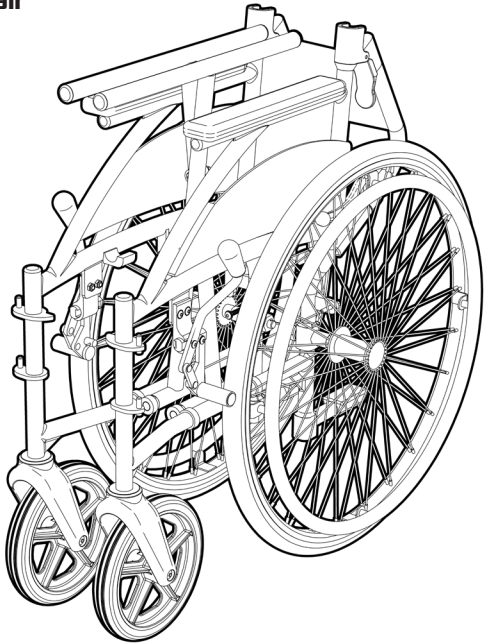
1. Pull **OUT** on both of the armrests at the same time to open out the wheelchair.
2. Push down on the outside edges of seat to ensure wheelchair has been fully unfolded.

Important note:

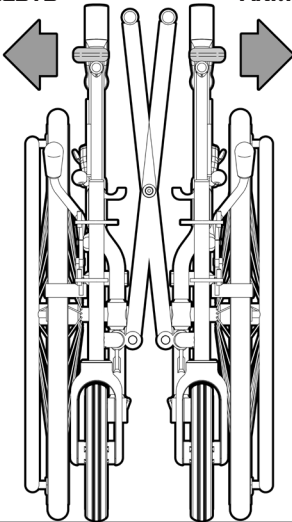
DO NOT place fingers underneath seat when unfolding wheelchair!

To fold wheelchair:

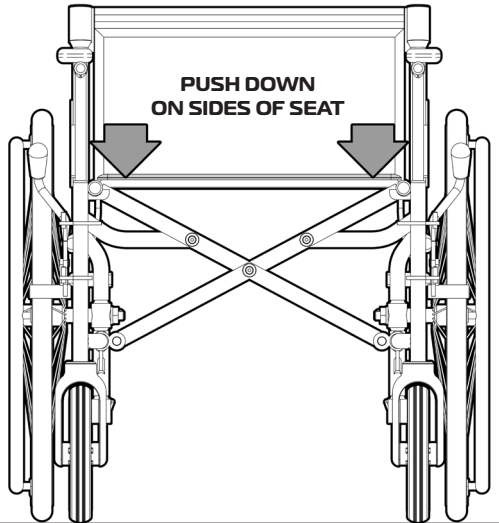
- Pull **UP** on seat.
(Ensure footplates are up prior to folding)



**PULL OUT ON
ARMRESTS**



**PULL OUT ON
ARMRESTS**

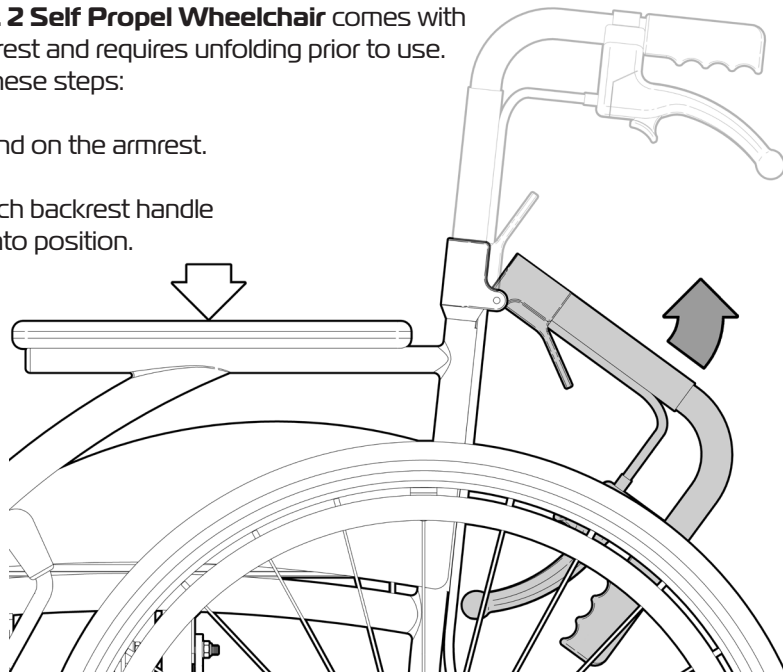


4.

SET UP- BACKREST UNFOLDING / FOLDING

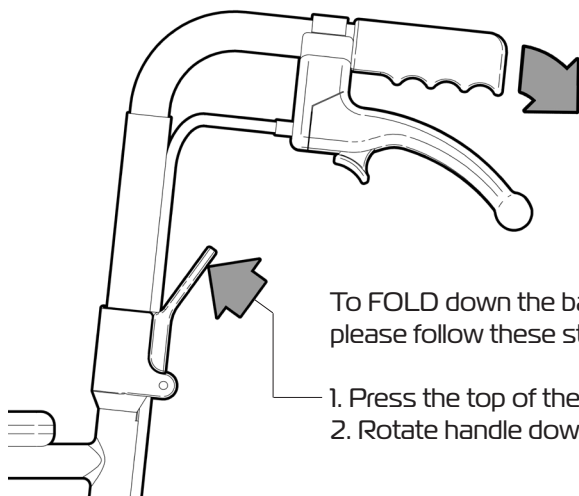
The **CRYSTAL 2 Self Propel Wheelchair** comes with the folded backrest and requires unfolding prior to use. Please follow these steps:

1. Place your hand on the armrest.
2. Rotate up each backrest handle until it locks into position.



Important note:

Check to ensure both backrest handles have locked into position prior to use. (Loud 'CLICK' should be heard when they have fully located in place)



To FOLD down the backrest handles please follow these steps:

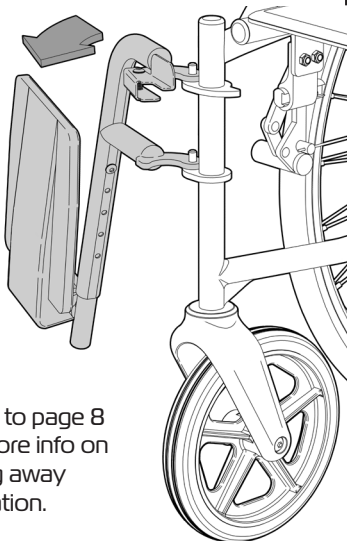
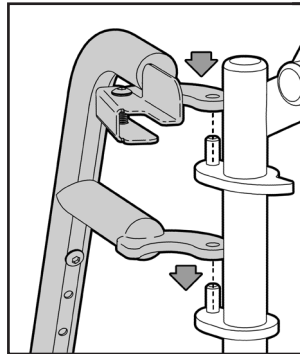
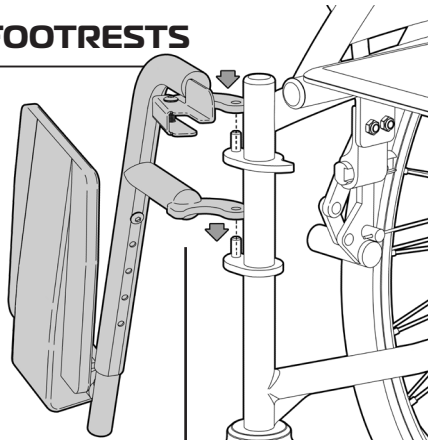
1. Press the top of the lever in towards the frame.
2. Rotate handle down.

5.

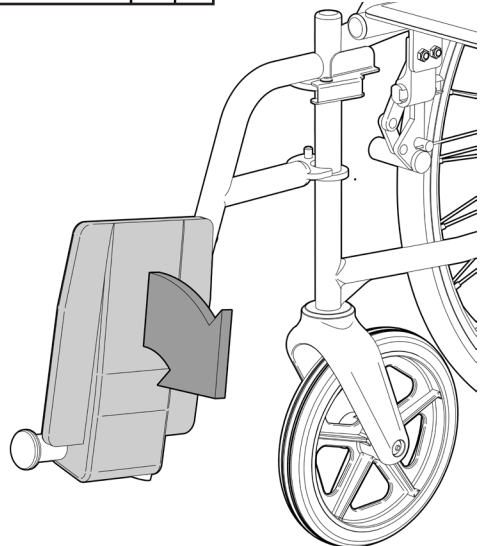
SET UP - FIT SWING AWAY FOOTRESTS

The **CRYSTAL 2 Self Propel Wheelchair** comes with removable adjustable height swing up footrests. Please follow these steps to locate the swing away footrests onto the wheelchair:

1. Position the swing away at 90° to the wheelchair as shown.
2. Line up the holes on the end of brackets with pins on wheelchair frame.
3. Gently lower swing away onto brackets.
4. Rotate swing away in towards wheelchair until it locks into position.
5. Rotate footplate down if required.
6. Repeat process to locate other swing away onto wheelchair.



Refer to page 8 for more info on swing away operation.



6.

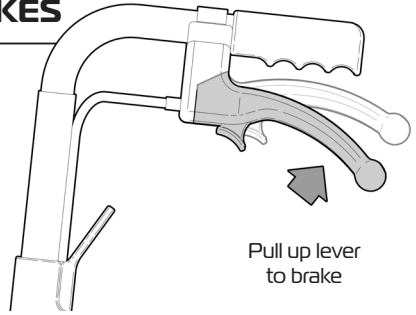
OPERATION - HAND BRAKES

The **CRYSTAL 2 Self Propel Wheelchair** comes with attendant operated hand brakes located on the push handles.

To **ENGAGE** brake:

Pull up on lever.

Brake will disengage when lever when released.



To **ENGAGE PARK** brake:

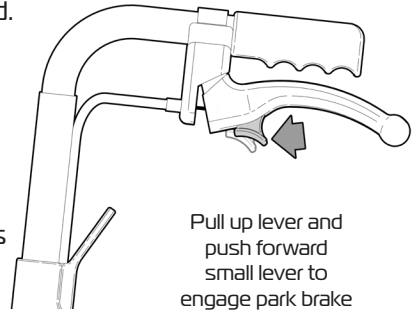
Pull up on lever and then push small lever forward.

Brake will remain engaged when lever is released.

To **DIS-ENGAGE** PARK brake:

Pull up on brake lever.

Park brake will disengage automatically.



The **CRYSTAL 2 Self Propel Wheelchair**

also comes with occupant operated hand brakes located on each side of wheelchair in front of rear wheels.

To **ENGAGE PARK** brake:

Push lever forward.

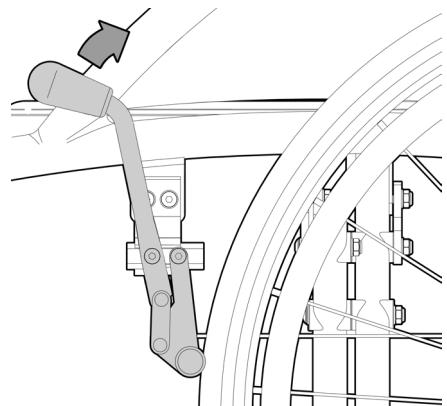
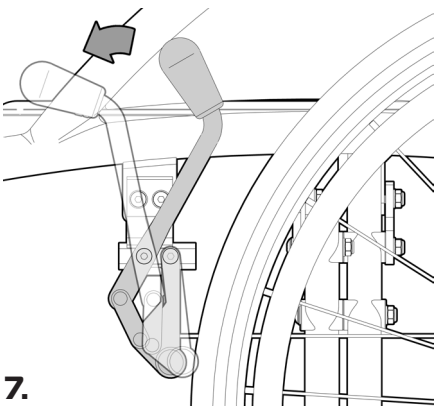
Brake will remain engaged when lever is released.

To **DIS-ENGAGE** PARK brake:

Pull lever back.

Park brake will disengage when lever when released.

Note:
It is recommended that the park brake is engaged when wheelchair is in use and is stationary.



7.

OPERATION - SWING AWAY FOOTPLATES

The **CRYSTAL 2 Self Propel Wheelchair** comes with adjustable height swing up footplates.

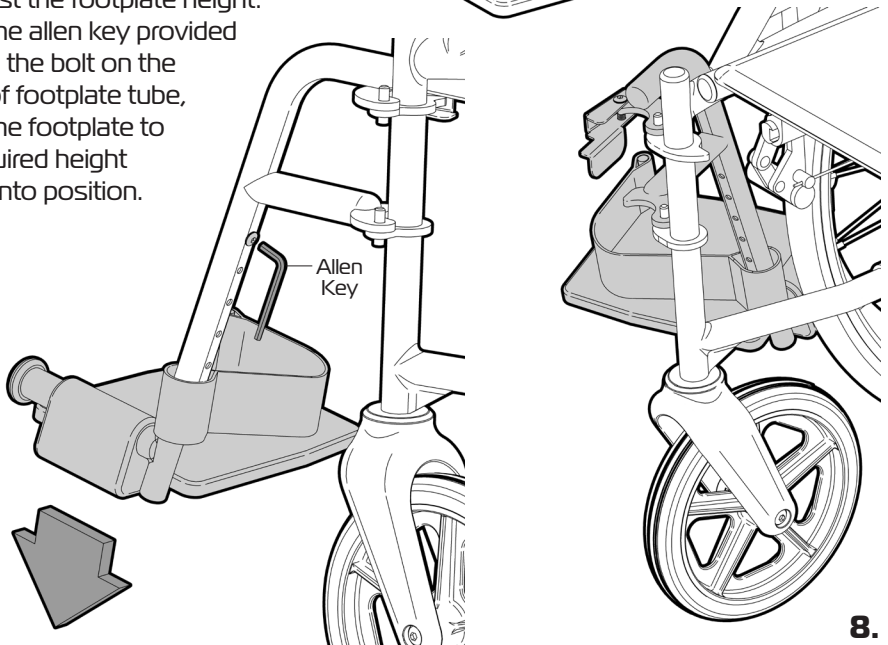
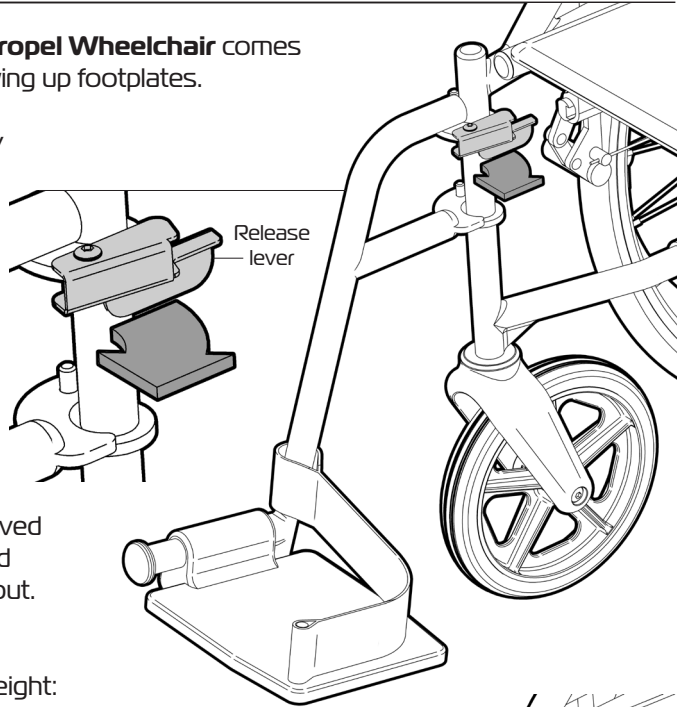
To rotate the swing away out pull the release lever in towards the centre of the wheelchair.

The swing away will automatically swing out towards the outside of the wheelchair.

Note:

Swing away can be removed from wheelchair if required once it has been swung out.

To adjust the footplate height: Using the allen key provided remove the bolt on the inside of footplate tube, move the footplate to the required height and fix into position.

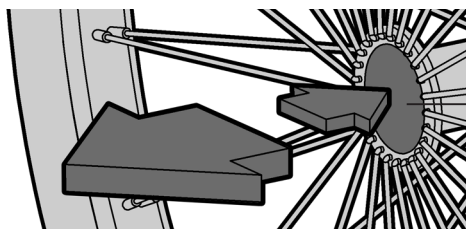


OPERATION - QUICK RELEASE REAR WHEELS

The **CRYSTAL 2 Self Propel Wheelchair** comes with quick release self propel rear wheels.

To remove the rear wheels please follow the following steps:

1. Using one hand - slightly tilt the wheelchair so the wheel being removed is off the ground.
2. With the other hand - depress the button in the centre of the wheel and pull the wheel out away from the wheelchair.



Button

IMPORTANT NOTE:

The wheelchair will be unstable with one wheel removed and will fall towards you.

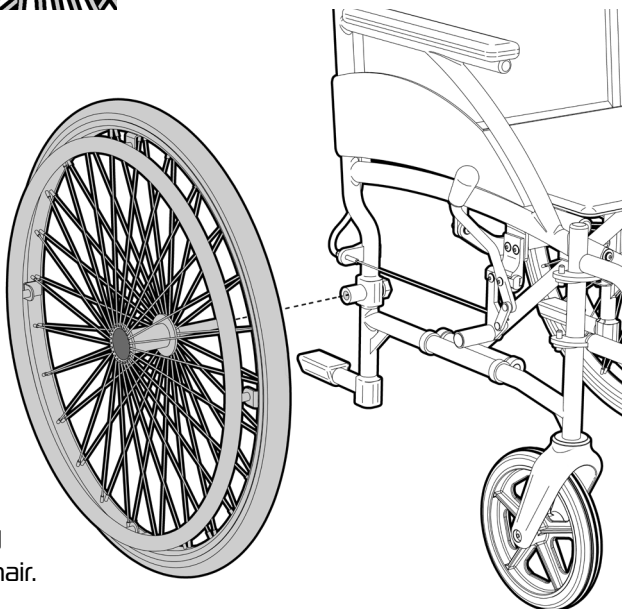
Repeat process to remove the other wheel.

To refit wheels

Depress button and slide wheel axle into socket on wheelchair frame.

Release button and check to ensure wheel is securely fixed in place prior to using wheelchair.

9.



USAGE GUIDELINES - DO'S + DON'TS

Please follow these guidelines to get the optimal benefit from the **CRYSTAL 2 Self Propel Wheelchair**. Failure to follow these guidelines may result in damage to the wheelchair and put the user at risk.

The **CRYSTAL 2 Self Propel Wheelchair** is designed to take 127kg Maximum Load (evenly distributed). Do not overload the wheelchair!

The footplates are not designed to be load bearing. Do not stand on the footplates when getting on or off the wheelchair.

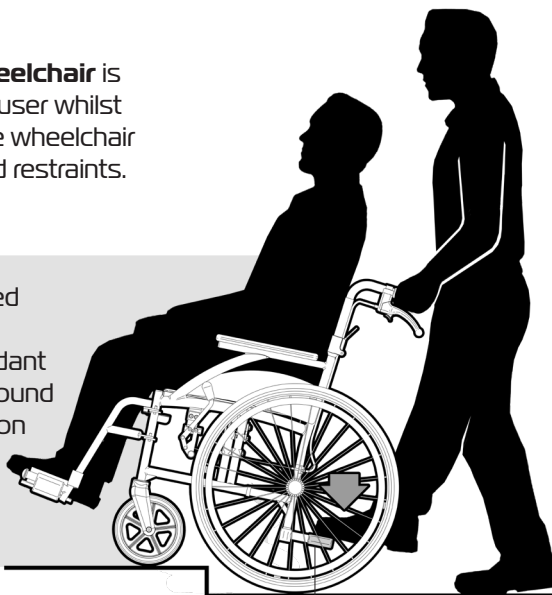
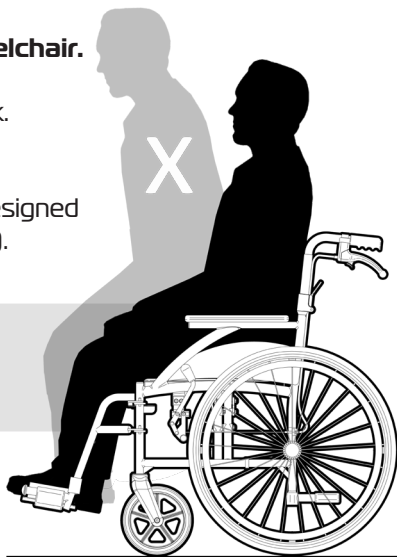
Always engage the park brakes when user is getting on or off the wheelchair.

Go up or down inclines directly. Do not try to cross on an angle as this will cause instability and wheelchair may tip over.

IMPORTANT NOTE

The **CRYSTAL 2 Self Propel Wheelchair** is NOT APPROVED to transport the user whilst in a vehicle. The user must stow the wheelchair and transfer to a seat with approved restraints.

Tipper bars have been incorporated to assist when manoeuvring the wheelchair over a step. The attendant can raise the front wheel of the ground by simultaneously pushing down on the push handles and pushing down on the tipper bars with their foot.



Tipper bars

PRODUCT CARE - INSPECTIONS / CLEANING

INSPECTIONS

We suggest that the **CRYSTAL 2 Self Propel Wheelchair** is visually checked periodically for signs of damage or wear prior to use. Overall check that no components are loose or worn.



Withdraw the wheelchair immediately if you suspect damage or any other fault. If in any doubt, please do not issue or use, but immediately contact your supplier for service support.

IMPORTANT NOTE

Do not fit any parts or accessories to the **CRYSTAL 2 Self Propel Wheelchair** that are manufactured by another company. To do so will void your warranty and may seriously compromise your safety.

CLEANING

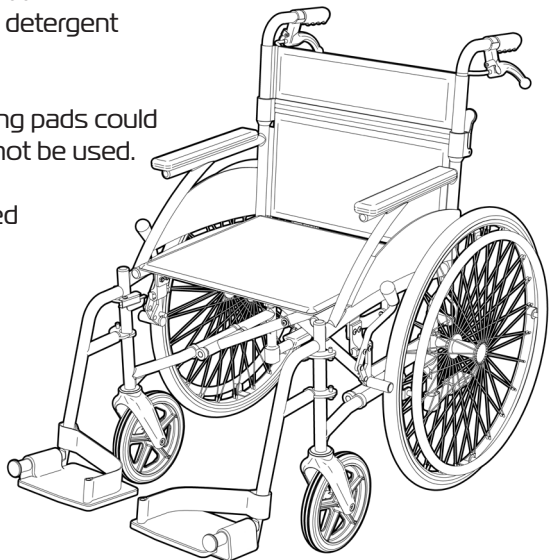
Clean the **CRYSTAL 2 Self Propel Wheelchair** using a non-abrasive cleaner or mild detergent with a soft cloth.

Abrasive cleaners or abrasive cleaning pads could damage the wheelchair and should not be used.

Covers and calf strap can be removed and machined washed if required:
Cold water wash - gentle cycle with mild detergent.

Tumble dry on lowest temperature.

Spot clean any small marks with mild soap and water then allow to air dry.



11.

ASK FOR THE BRAND

redgumbrand.com.au

WARRANTY

REDGUM Brand:

RG18B - CRYSTAL 2 Self Propel Wheelchair (450mm / 18" Seat)

RG20B - CRYSTAL 2 Self Propel Wheelchair (500mm / 20" Seat)

is covered by a **12 Month Warranty** from the date of purchase.

If the product has any manufacturing faults during this period contact the place of purchase for assessment. Failures as a result of **ACCIDENTAL MISUSE, MODIFICATION OR WEAR AND TEAR ARE NOT COVERED BY THIS WARRANTY.**

Our goods come with guarantees that cannot be excluded under the Australian Consumer Law. You are entitled to a replacement part for a major failure and for compensation for any other reasonably foreseeable loss or damage. You are entitled to have the goods repaired or replaced if the goods fail to be of acceptable quality and failure does not amount to major failure.

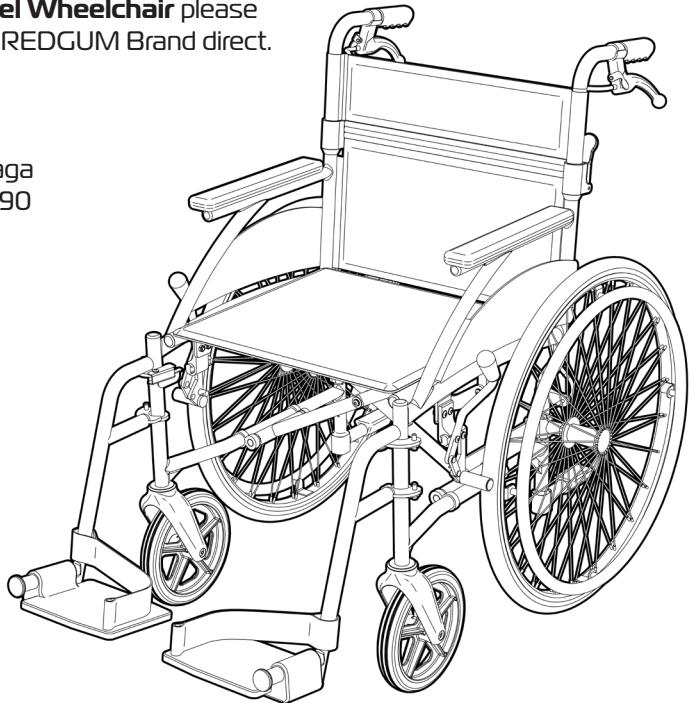
If you have any issues or questions about the **CRYSTAL 2 Self Propel Wheelchair** please contact your supplier or REDGUM Brand direct.

T: +61 8 9248 4180

E: sales@for-de.com.au

A: 1 Business Way, Malaga
Western Australia 6090

**Please keep this
User Manual
in a safe place
for future reference.**



12.

DISTRIBUTOR:

REDGUM BRAND
*Daily Living and
Lifestyle Products*



Proudly
Australian Owned
and Operated

ASK FOR THE BRAND

redgumbrand.com.au