

Thank you for purchasing this **REDGUM Brand** product. If you have any issues or questions about the Heavy Duty Quad Cane with offset handle please contact your supplier or REDGUM Brand direct:

T: **+61 8 9248 4180**

E: **orders@for-de.com.au**

A: **1 Business Way, Malaga, Western Australia, 6090**

FEATURES

- Excellent walking / stability aid.
- Height adjustable.
- Suitable for left and right hand users.
- Comfortable ergonomic handle grip.
- Low profile offset quad base.
- Rubber leg tips.

SPECIFICATIONS

Handgrip height: **740 - 970mm (10 settings at 25mm increments)**

Base size: **300mm (L) x 210mm (W) x 80mm (H)**

Product weight: **1.7kg**

Max. user weight: **227kg**

INTENDED USE

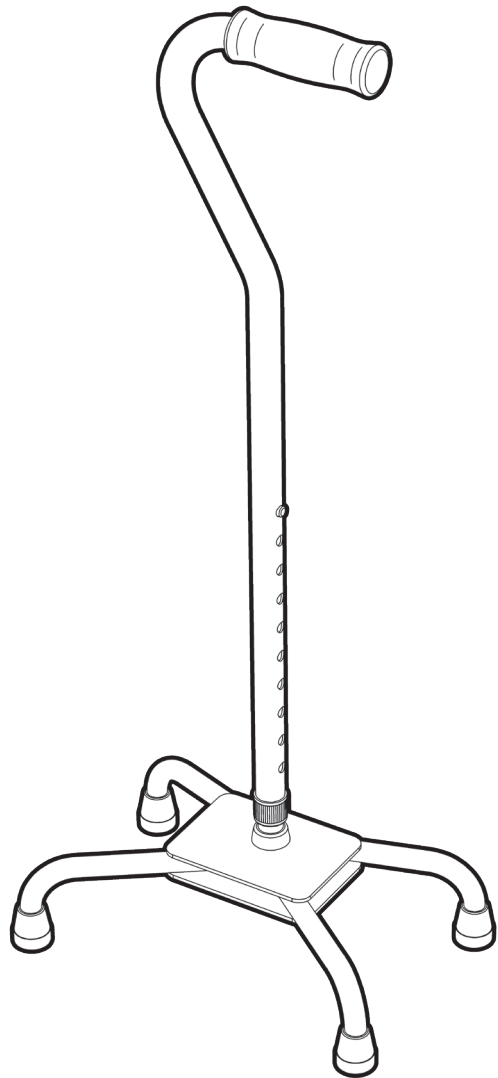
This product has limitations and should be used in accordance to these guidelines. Failure to follow these guidelines may result in damage to the product and injury to the user. It is the responsibility of the user to ensure the suitability of this product for its intended use. The user should consult their appropriate healthcare professional if unsure of the correct product usage for their unique circumstances.

INSPECT SUPPLIED PARTS

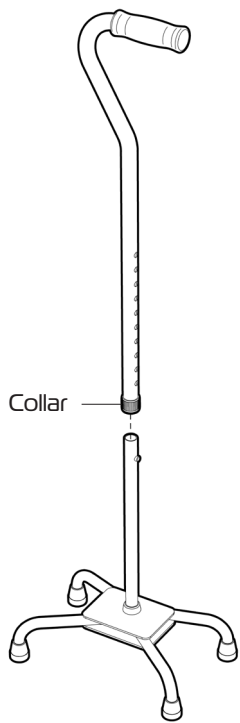
If you see any damage or suspect a fault, **DO NOT USE THE PRODUCT** and contact your supplier for support.

INSPECTIONS

We recommend that the Quad Cane is visually checked periodically for signs of damage or wear prior to use. Withdraw the Quad Cane immediately from use if you suspect damage or any other fault. If in any doubt, please do not issue or use and contact your supplier for support.

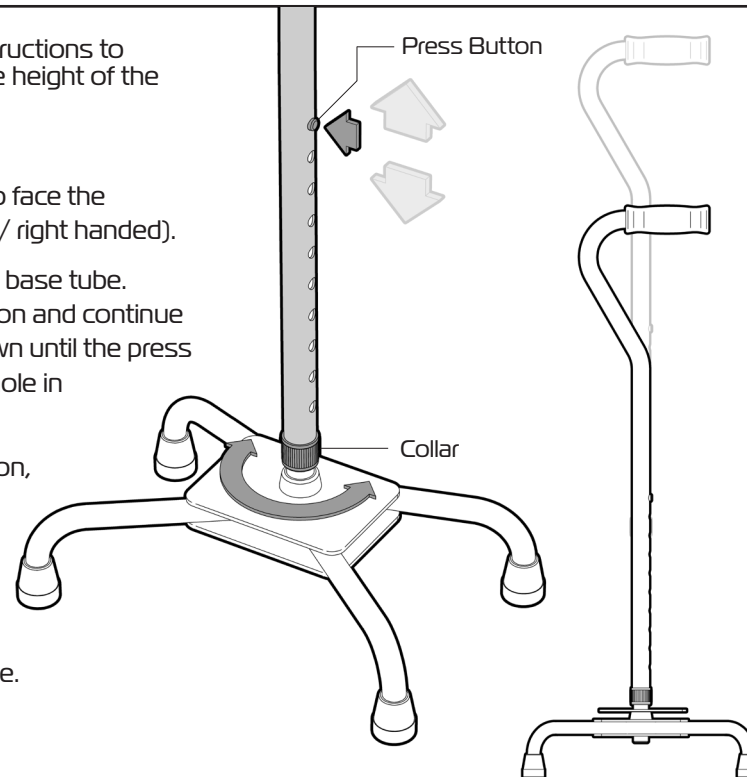


Please turn over for more instructions



Please follow these instructions to assemble and adjust the height of the Quad Cane:

- Undo the collar.
- Orientate the handle to face the direction required (left / right handed).
- Slide handle tube onto base tube. Push in the press button and continue to slide the handle down until the press button pops out of a hole in the handle tube.
- Push in the press button, move the handle to the required height and adjust until the press button pops out of a hole on the handle tube.
- Tighten the collar.



USAGE GUIDELINES

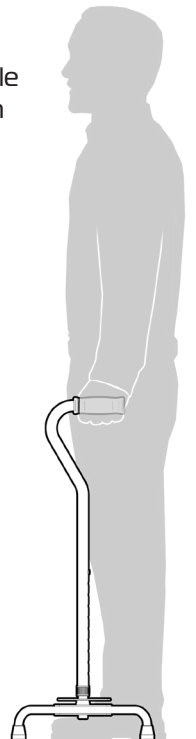
The Quad Cane should be adjusted so the handle is level with your wrist when your arms are down by your sides.

The offset base should always be facing away from the user.

Use the Quad Cane on the opposite side to the weak, painful or injured leg.

Ensure all four legs are on the ground when load is put on the Quad Cane.

We suggest that you check the Quad Cane periodically for signs of damage or wear prior to use. Overall check that no components are loose or worn. If you see any damage or suspect a fault, **DO NOT USE THE PRODUCT** and contact your supplier for support.



CLEANING

We recommend that you attend to any required cleaning as soon as possible to reduce the possibility of staining. Clean the Quad Cane using a non-abrasive cleaner or mild detergent with a soft cloth. Abrasive cleaners or abrasive cleaning pads could damage the Quad Cane and should not be used. If you have any questions about the cleaning of the product please contact your supplier or REDGUM brand direct.

WARRANTY

Heavy Duty Quad Cane with offset handle (RG5611) is covered by a 12 Month Warranty from the date of purchase.

If the product has any manufacturing faults during this period contact the place of purchase for assessment. Failures as a result of ACCIDENTAL MISUSE, MODIFICATION OR WEAR AND TEAR ARE NOT COVERED BY THIS WARRANTY. Our goods come with guarantees that cannot be excluded under the Australian Consumer Law. You are entitled to a replacement part for a major failure and for compensation for any other reasonably foreseeable loss or damage. You are entitled to have the goods repaired or replaced if the goods fail to be of acceptable quality and failure does not amount to major failure. Do not modify or fit any parts or accessories to the Reacher that are manufactured by another company. To do so will void your warranty and may seriously compromise your safety.