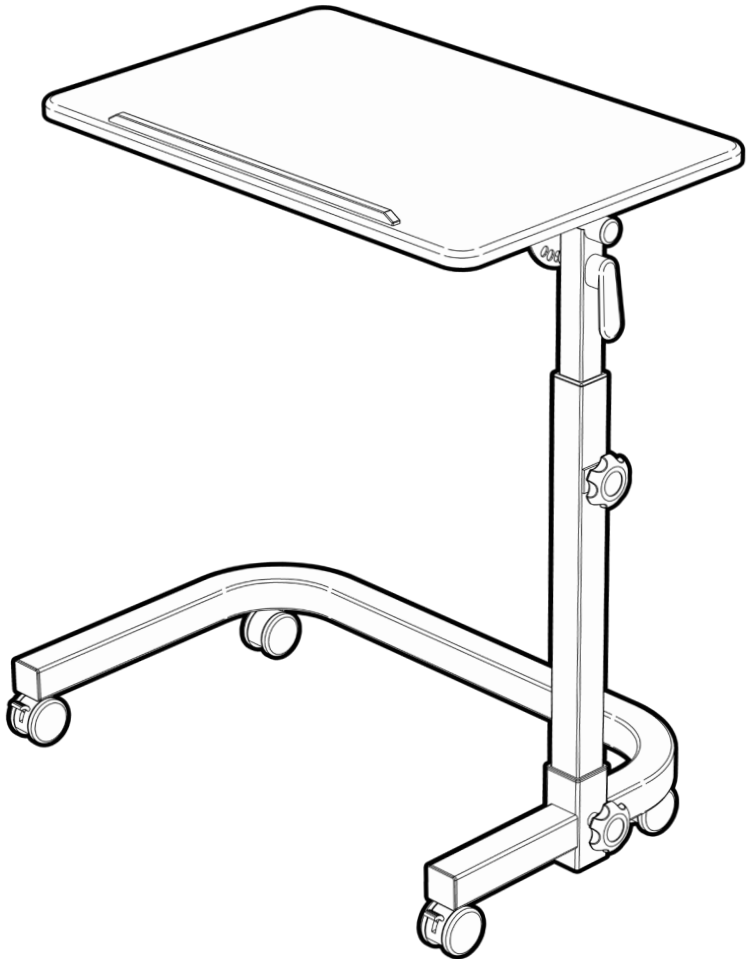


OVER BED / CHAIR TABLE

RG623

Edition 2



USER MANUAL

Please read and keep these instructions



REDGUM BRAND

*Daily Living and
Lifestyle Products*

REDGUM Brand owns the **copyright** to the Over Bed / Chair Table user manual. Any information contained in this user manual shall not be photocopied, reproduced or translated into any other languages without the prior written consent of REDGUM Brand.

REDGUM Brand strives to provide the highest quality products possible. Products are subject to change without notice.

© Copyright **REDGUM Brand** 2021



REDGUM Brand is part of **FOR-DE Group Pty Ltd**

redgumbrand.com.au

CONTENTS

1. **INTRODUCTION** - INTENDED USE
2. **PRODUCT OVERVIEW** - FEATURES / SPECIFICATIONS
3. **ASSEMBLY** - UNPACK and INSPECT SUPPLIED PARTS
4. **ASSEMBLY** - CASTOR INSTALLATION
5. **ASSEMBLY** - PLATFORM INSTALLATION
6. **ASSEMBLY** - UPRIGHT INSTALLATION
7. **OPERATION** - PLATFORM HEIGHT ADJUSTMENT
8. **OPERATION** - PLATFORM ANGLE ADJUSTMENT
9. **OPERATION** - LOCKING CASTORS
10. **USAGE GUIDELINES** - DO's + DON'Ts
11. **PRODUCT CARE** - INSPECTIONS / CLEANING
12. **WARRANTY**



INTRODUCTION

Thank you for purchasing this quality **REDGUM Brand** product.

If you have any issues or questions about the Over Bed / Chair Table please contact your supplier or REDGUM Brand direct:

T: +61 8 9248 4180

F: +61 8 9248 9452

E: sales@for-de.com.au

A: 1 Business Way, Malaga Western Australia 6090

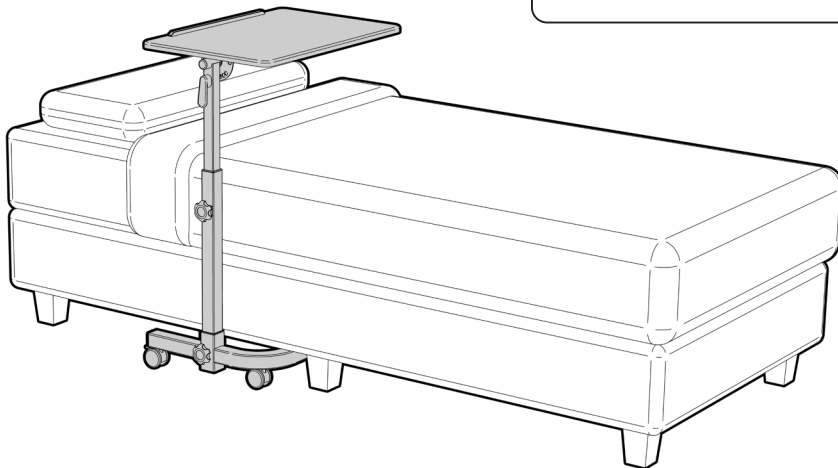
INTENDED USE

This product has limitations and should be used in accordance to these guidelines. Failure to follow these guidelines may result in damage to the product and injury to the user. It is the responsibility of the user to ensure the suitability of this product for its intended use. The user should consult their appropriate healthcare professional if unsure of the correct product usage for their unique circumstances.

Only use your Over Bed / Chair Table for the purpose for which it is intended, which is as a platform that can be adjusted in height / angle and positioned to suit the users individual requirements.

IMPORTANT NOTE

This equipment **MUST** be assembled by a competent person.



PRODUCT OVERVIEW

FEATURES

- Stable working surface
- Vinyl wrapped platform with retaining lip
- Height adjustable platform
- Easy to adjust tilt function on platform
- Low clearance base to fit under beds
- Twin wheel locking and swivel castors
- Epoxy powder coated metal frame
- Chrome mild steel upright
- Flat packs for storage or transport



SPECIFICATIONS (All dimensions shown are nominal)

Dimensions:

Platform Width: **600mm**

Platform Depth: **400mm**

Platform Height: **690 - 1010mm**

Platform Angles: **0° / 15° / 30° / 45° / 90° for storage**

Base Frame Width (internal): **610mm**

Base Frame Height: **100mm**

Castors: **Ø50mm plastic twin wheel castors (2 x locking at front / 2 x swivel at rear)**

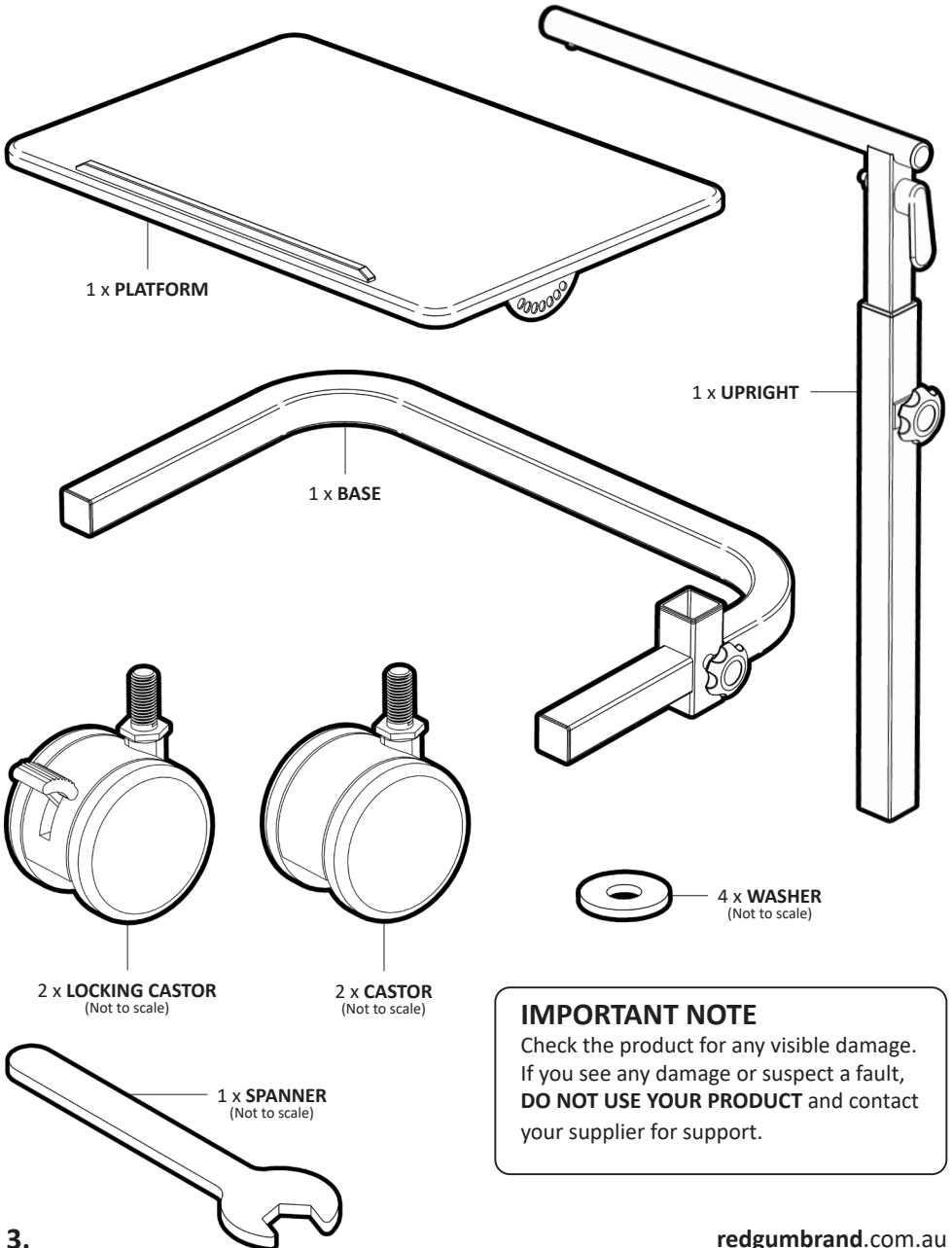
Product Weight: **7kg**

Maximum Weight Loading: **12kg - evenly distributed**

Please contact **REDGUM Brand** if you would like any further information on your Over Bed / Chair Table.

ASSEMBLY- UNPACK and INSPECT SUPPLIED PARTS

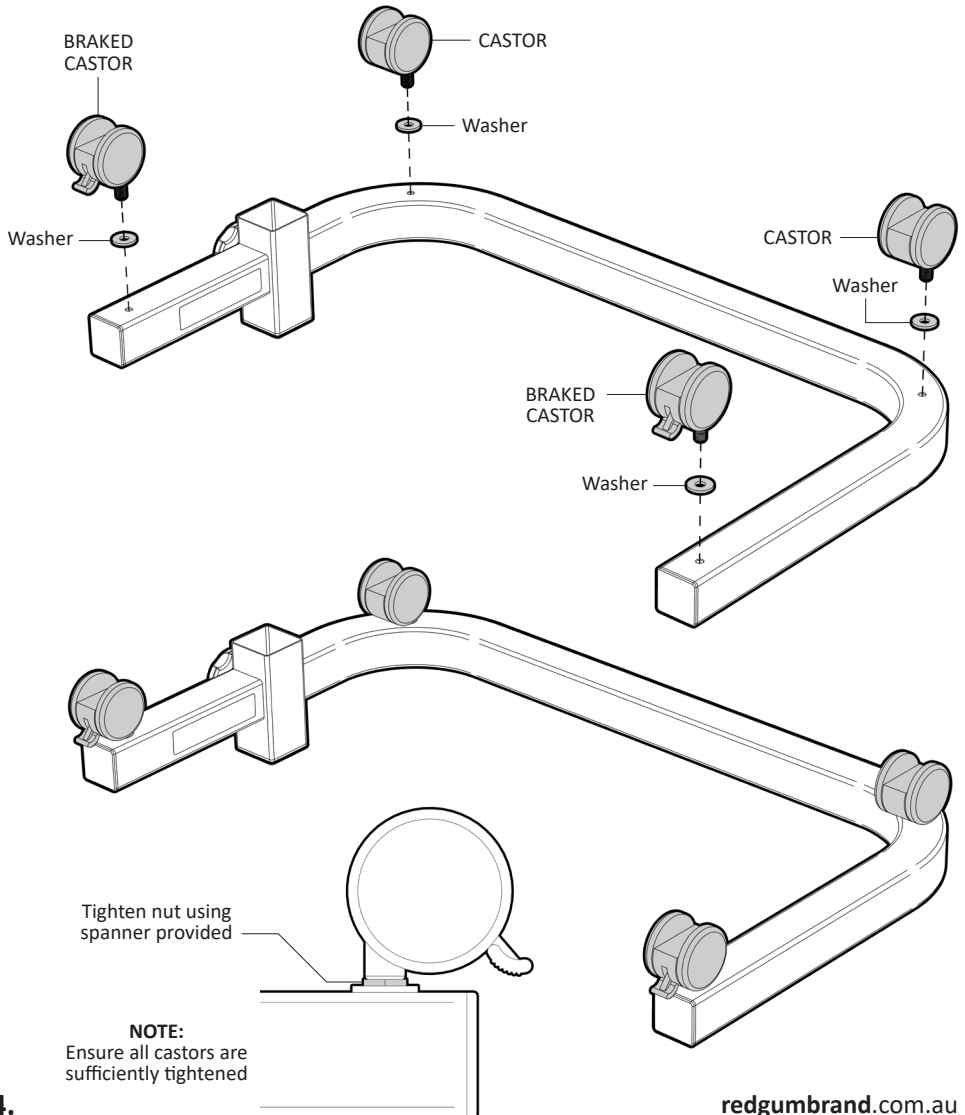
Ensure you have been supplied with the following parts:



ASSEMBLY - CASTOR INSTALLATION

Please follow these steps to fit the castors to the base:

1. Lie the base down with the 4 holes on underside facing up.
2. Align washers over holes in base.
3. Hand wind in castors (Ensure castors with brakes are fitted to end of base frame).
4. Using the spanner provided - tighten castors.



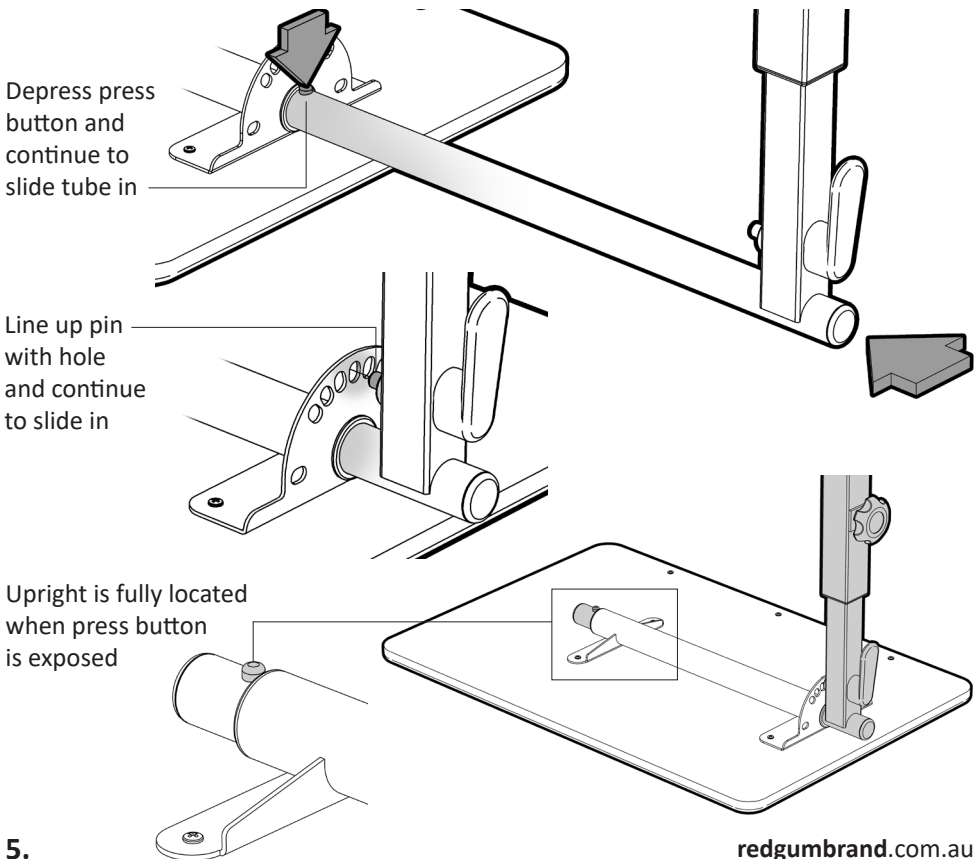
4.

ASSEMBLY - PLATFORM INSTALLATION

Please follow these steps to fit platform to upright:

1. Lay platform upside down.
2. Insert tube on upright into tube on platform.
3. Depress press button and continue to slide upright tube into platform tube.
4. Line up pin on adjustment lever with holes in mount plate and continue to slide tube in.

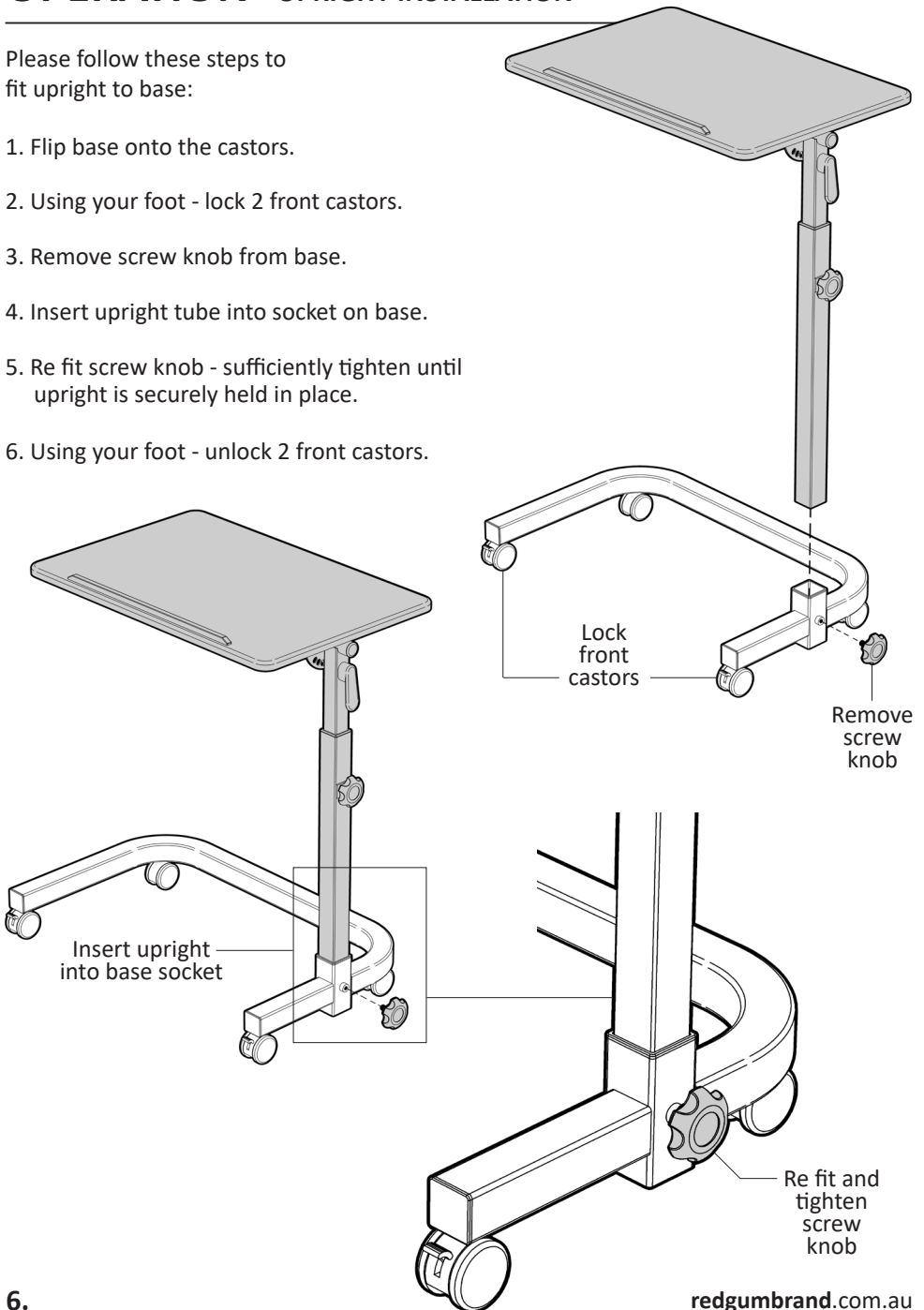
5. Push tube all the way in until the press button pops out past the end of tube.



OPERATION - UPRIGHT INSTALLATION

Please follow these steps to fit upright to base:

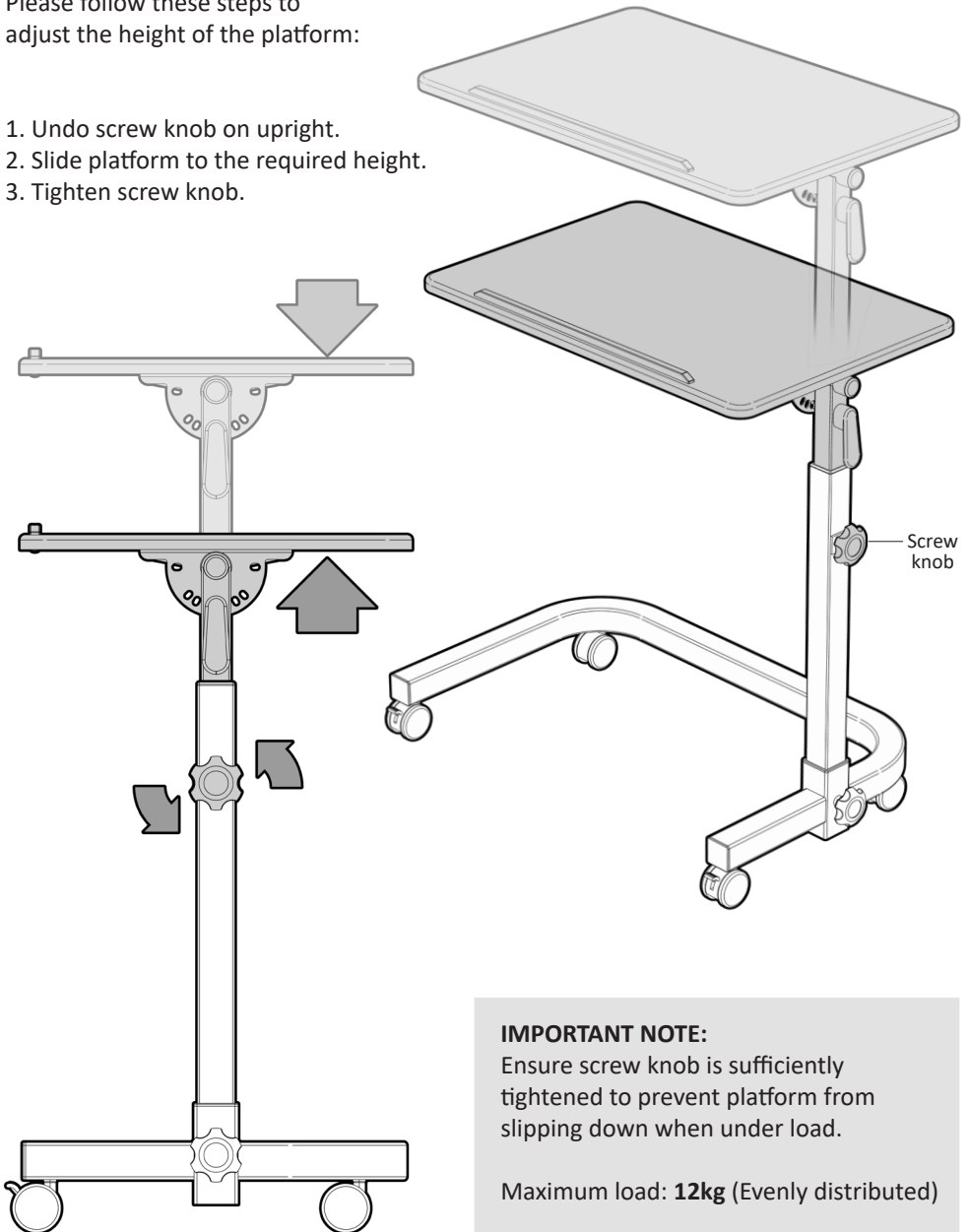
1. Flip base onto the castors.
2. Using your foot - lock 2 front castors.
3. Remove screw knob from base.
4. Insert upright tube into socket on base.
5. Re fit screw knob - sufficiently tighten until upright is securely held in place.
6. Using your foot - unlock 2 front castors.



OPERATION - PLATFORM HEIGHT ADJUSTMENT

Please follow these steps to adjust the height of the platform:

1. Undo screw knob on upright.
2. Slide platform to the required height.
3. Tighten screw knob.



IMPORTANT NOTE:

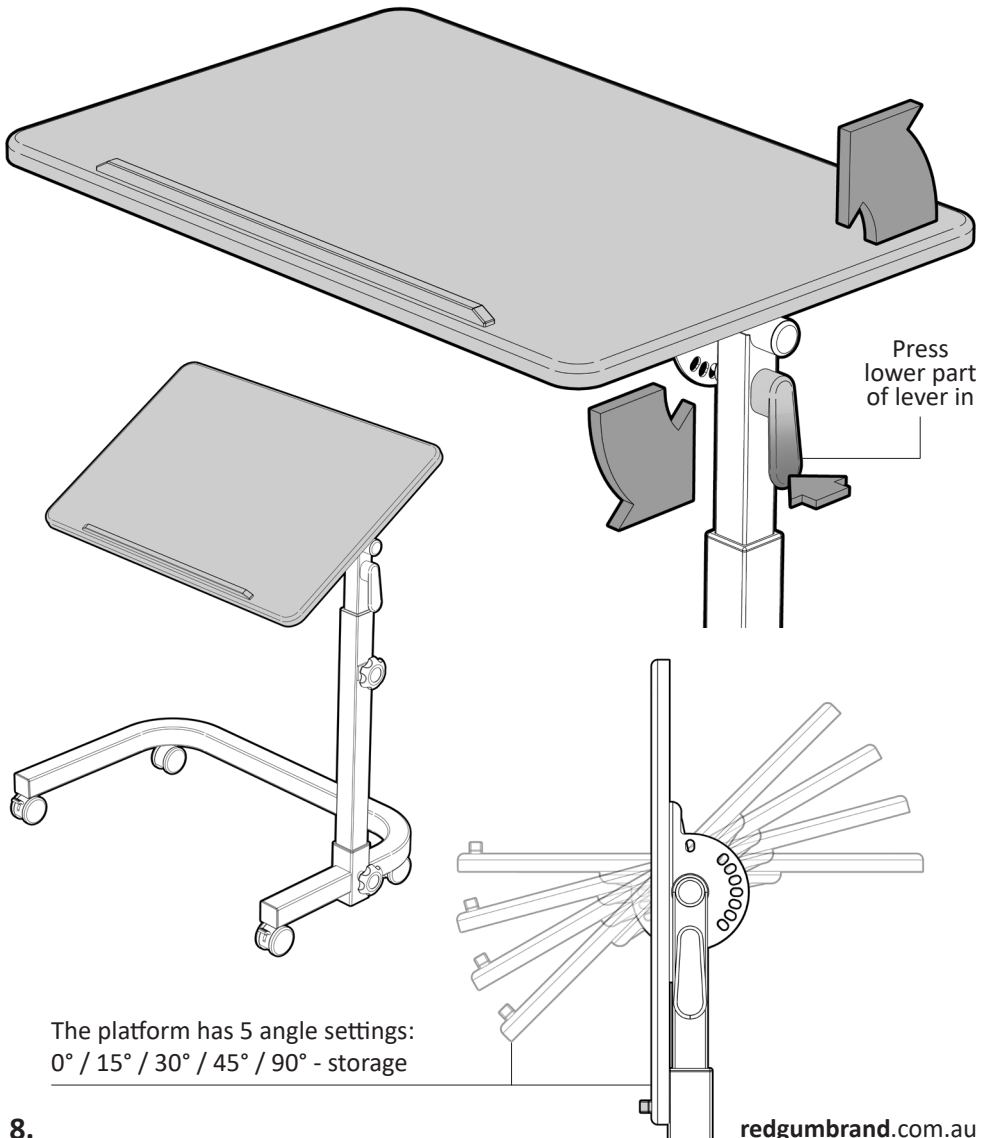
Ensure screw knob is sufficiently tightened to prevent platform from slipping down when under load.

Maximum load: **12kg** (Evenly distributed)

OPERATION - PLATFORM ANGLE ADJUSTMENT

Please follow these steps to adjust the angle of the platform:

1. Press the lower part of lever in / start to rotate platform and release the lever.
2. Continue to rotate the platform until a loud 'click' is heard which indicates that the platform is locked in place.
3. Repeat process until platform is at required angle.



OPERATION - LOCKING CASTORS

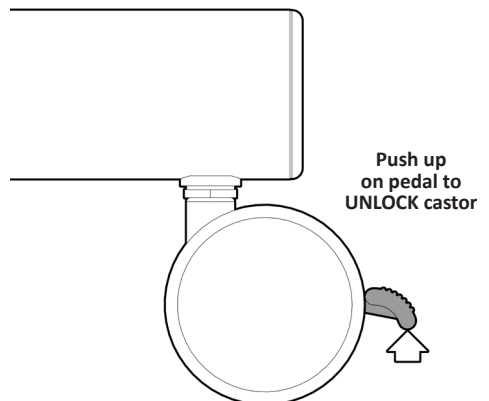
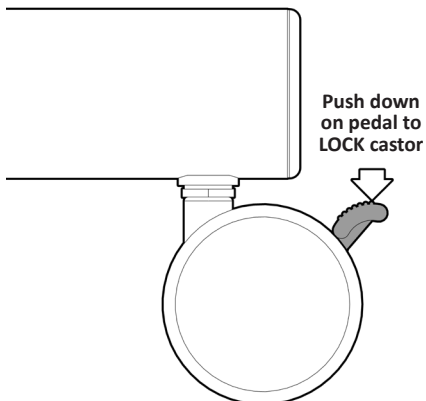
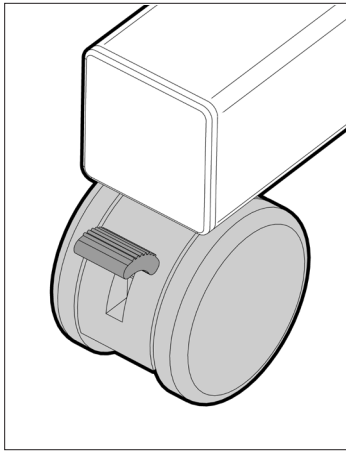
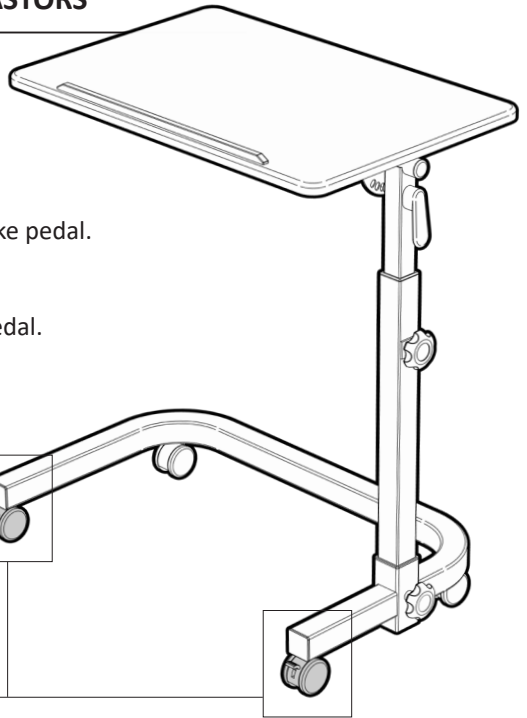
The Over Bed / Chair Table has
2 locking swivel castors at the ends
of base:

To **LOCK** the castor:

Using your foot - press **DOWN** on the brake pedal.

To **UNLOCK** the castor:

Using your foot - push **UP** on the brake pedal.



USAGE GUIDELINES - DO's + DON'TS

Please follow these guidelines to get the optimal benefit from the Over Bed / Chair Table.

Failure to follow these guidelines may result in damage to the Over Bed / Chair Table and put the user at risk.

The Over Bed / Chair Table is designed to take 12kg Maximum Load (evenly distributed). Do not overload the table!

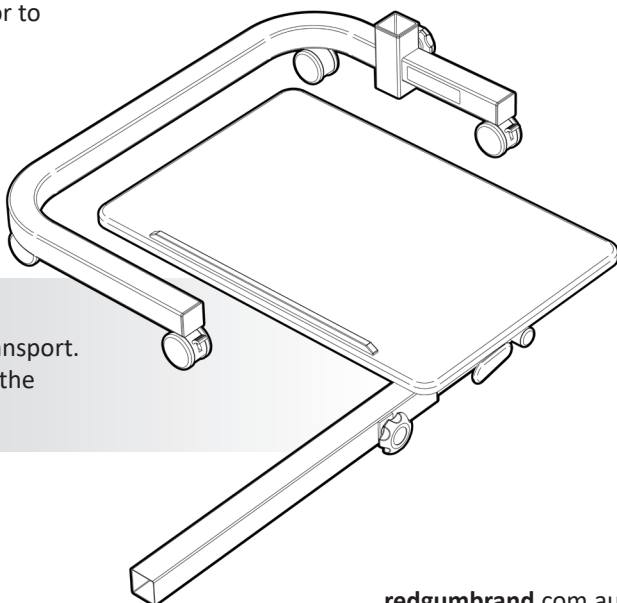
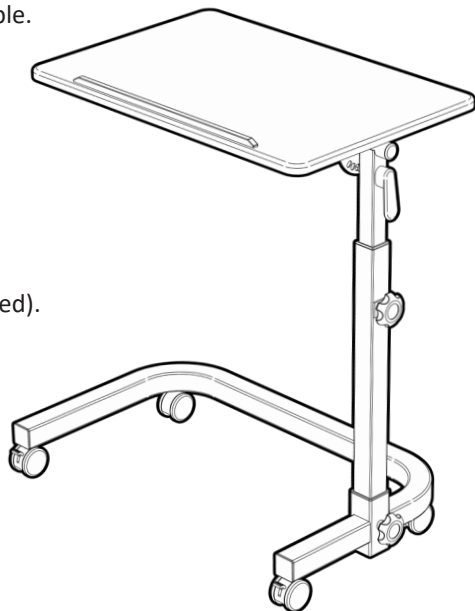
Ensure any fasteners are adequately tightened after assembly and adjustment.

Do not use this product as a walking aid or as a sitting / standing aid.

Lock front castors when appropriate. Ensure castors are unlocked prior to moving table.

This product is designed for INDOOR USE only.

Over Bed / Chair table can be pulled apart for storage or transport. Tilt the platform and remove the upright assembly to flatten.



REDGUM Brand PRODUCT RANGE

INSPECTIONS

We suggest that you visually check the Over Bed / Chair Table periodically for signs of damage or wear prior to use. Overall check that no components are loose or worn. Please check all aspects paying particular attention to the following areas :

- Platform
- Frame
- Castors (Free wheeling - remove any built up material ie. hair / lint)
- Screw knobs / lever



Withdraw the Over Bed / Chair Table immediately if you suspect damage or any other fault. If in any doubt, please do not issue or use, but immediately contact your supplier for service support.

IMPORTANT NOTE

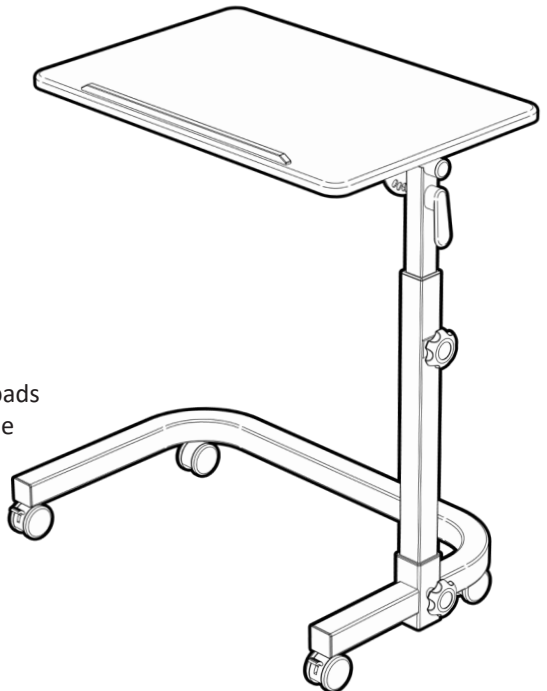
Do not fit any parts or accessories to your Over Bed / Chair Table that are manufactured by another company. To do so will void your warranty and may seriously compromise your safety.

CLEANING

Clean the Over Bed / Chair Table using a non-abrasive cleaner or mild detergent with a soft cloth.

Abrasive cleaners or abrasive cleaning pads could damage the Over Bed / Chair Table and should not be used.

Inspect and remove any debris (including hair) from castors.

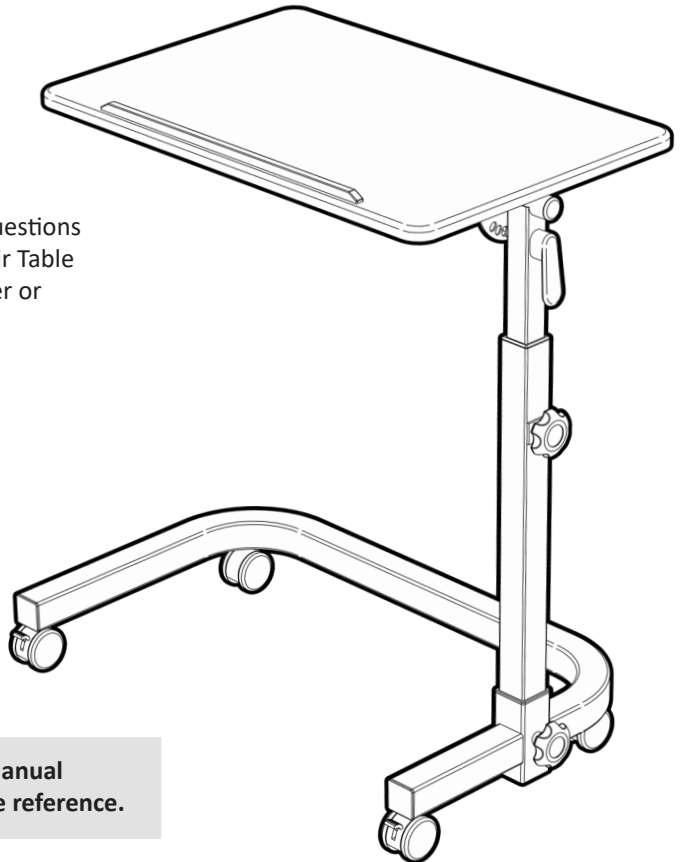


WARRANTY

The REDGUM Brand **RG623 - OVER BED / CHAIR TABLE** is covered by a **12 Month Warranty** from the date of purchase.

If the product has any manufacturing faults during this period contact the place of purchase for assessment. Failures as a result of **ACCIDENTAL MISUSE, MODIFICATION OR WEAR AND TEAR ARE NOT COVERED BY THIS WARRANTY.**

Our goods come with guarantees that cannot be excluded under the Australian Consumer Law. You are entitled to a replacement part for a major failure and for compensation for any other reasonably foreseeable loss or damage. You are entitled to have the goods repaired or replaced if the goods fail to be of acceptable quality and failure does not amount to major failure.



If you have any issues or questions about your Over Bed / Chair Table please contact your supplier or REDGUM Brand direct on:

T: +61 8 9248 4180

F: +61 8 9248 9452

E: sales@for-de.com.au

A: 1 Business Way, Malaga
Western Australia 6090

**Please keep this User Manual
in a safe place for future reference.**

DISTRIBUTOR:

REDGUM BRAND
*Daily Living and
Lifestyle Products*



Proudly Australian Owned and Operated

redgumbrand.com.au